

32.768 kHz LOW FREQUENCY SMD CRYSTAL



ABS25

Pb in High Temperature Solder
(exempt per RoHS 2002/95/EC Annex (7))

**RoHS
Compliant**

FEATURES:

- Plastic molded SMD
- 2.5mm height ideal for high density circuit boards
- Suitable for RoHS compliant reflow
- Extended temperature -40°C to +85°C for industrial applications

APPLICATIONS:

- Wide range in communication & measuring equipment
- Commercial & Industrial applications
- Computer clock

STANDARD SPECIFICATIONS:

Parameters	Minimum	Typical	Maximum	Units	Notes
Nominal Frequency	----	32.768	----	kHz	
Frequency Range	30	----	100	kHz	
Operating Temperature	-40	----	+85	°C	
Turnover Temperature	+20	+25	+30	°C	
Storage Temperature	-55	----	+125	°C	
Frequency Tolerance @+25°C	-20	----	+20	ppm	32.768kHz
	-30	----	+30		Other frequencies See options
Capacitance Ratio (C0/C1)	----	450	----		32.768kHz
	----	425 to 800	----		Other frequencies
Frequency Coefficient (β)	-0.040	-0.034	-0.028	ppm/T ²	
Equivalent series resistance (R1)	----	----	50	kΩ	
Shunt capacitance (C0)	----	1.35	----		32.768kHz
		0.8 to 1.7			Other frequencies
Load capacitance (CL)	----	12.5	----	pF	See options
Drive Level	----	----	1	μW	
Aging	-3	----	+3	ppm	@25°C±3°C First year
	-5	----	+5		
Insulation Resistance	500	----	----	MΩ	@ 100Vdc ± 15V

OPTIONS AND PART IDENTIFICATION:

(Left blank if standard)

ABS25 - [] - [] - []

Frequency in kHz
Please specify the frequency in kHz.
e.g. 32.768kHz

Load Capacitance (pF)
Please specify load cap. in pF (ex. 6pF)

Freq. Tolerance

1: ± 10 ppm
5: ± 15 ppm
2*: ± 20 ppm
3: ± 25 ppm
4** : ± 30 ppm

Packaging

Blank: Bulk
T: Tape and Reel

*STD for 32.768kHz. Please leave this blank if F is 32.768kHz.

**STD for other frequencies. Please leave this blank if F is not 32.768kHz.



32.768 kHz LOW FREQUENCY SMD CRYSTAL

ABS25



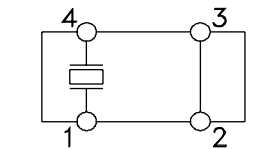
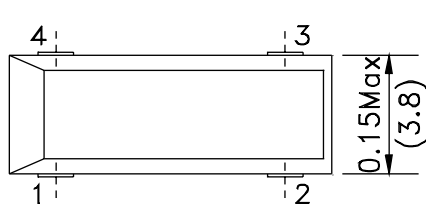
8.0 x 3.8 x 2.5 mm

ABS25

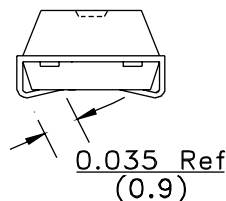
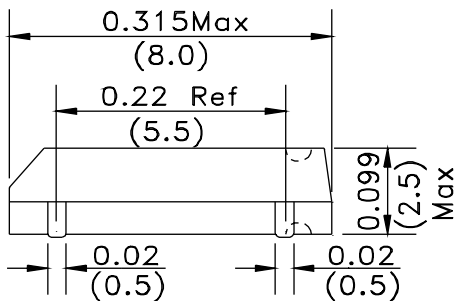
Pb in High Temperature Solder
(exempt per RoHS 2002/95/EC Annex (7))

RoHS
Compliant

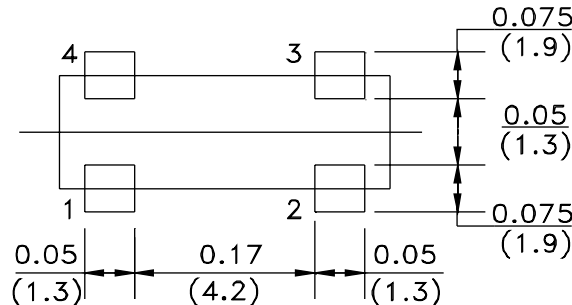
OUTLINE DRAWING:



Electrode Arrangement
Pin 2 and 3 are not connected to the GND (Floating)



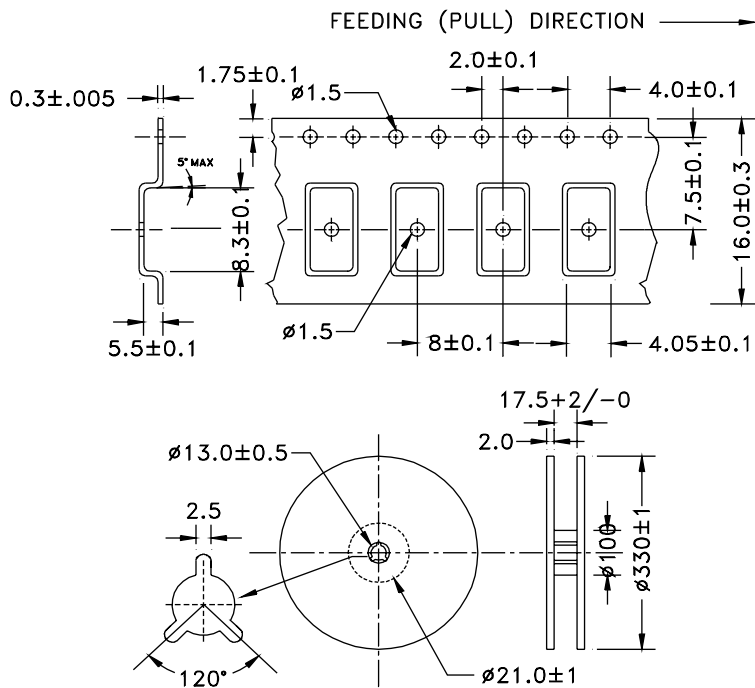
Recommended Land Pattern



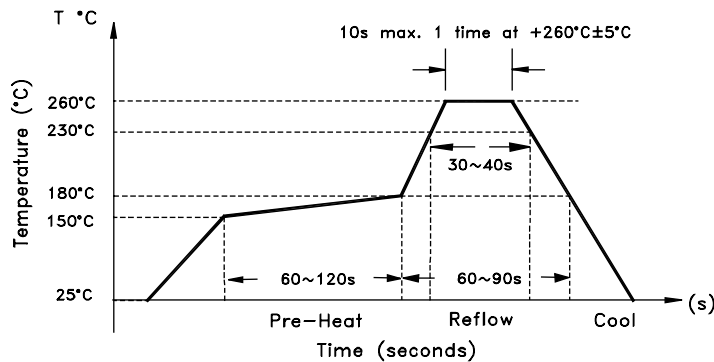
Dimensions: (inches) mm

TAPE & REEL: T = Tape and reel 3,000pcs/reel

REFLOW PROFILE



Dimensions: mm



ATTENTION: Abracon Corporation's products are COTS – Commercial-Off-The-Shelf products; suitable for Commercial, Industrial and, where designated, Automotive Applications. Abracon's products are not specifically designed for Military, Aviation, Aerospace, Life-dependant Medical applications or any application requiring high reliability where component failure could result in loss of life and/or property. For applications requiring high reliability and/or presenting an extreme operating environment, written consent and authorization from Abracon Corporation is required. Please contact Abracon Corporation for more information.

ABRACON IS
ISO9001:2008
CERTIFIED



ABRACON
CORPORATION

Visit www.abracon.com for Terms & Conditions of Sale

30332 Esperanza, Rancho Santa Margarita, California 92688
tel 949-546-8000 | fax 949-546-8001 | www.abracon.com

Revised: 05.31.11

www.igshop.com