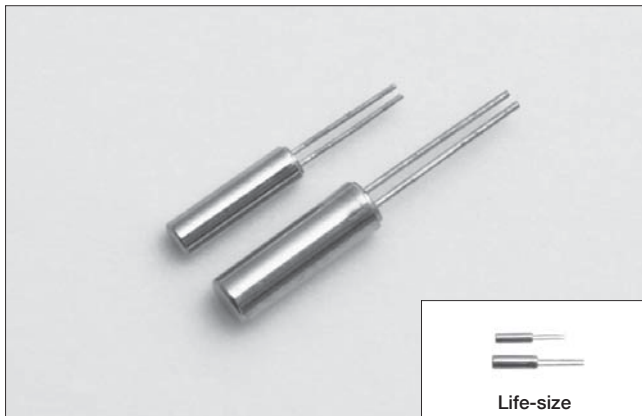


## TUNING FORK CRYSTAL UNITS (Cylinder Type)

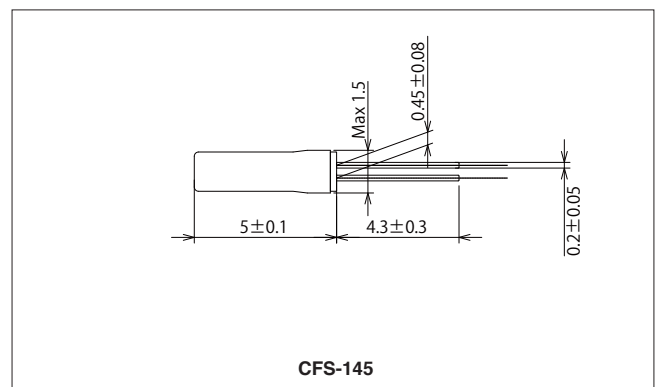
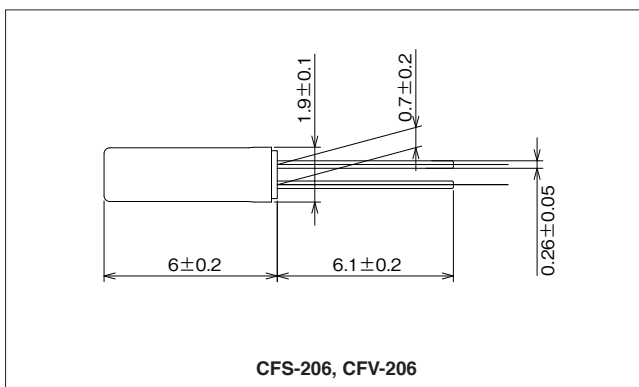
RoHS compliant / Pb free **CFS-206·CFS-145·CFV-206**



### FEATURES

- Best suited for portable devices with low current consumption.
- For a clock source in digital equipment.

### DIMENSION [mm]



### STANDARD SPECIFICATIONS

Item	Model	CFS-206	CFS-145	CFV-206	Conditions
Nominal Frequency	$f_0$	32.768kHz		30kHz~100kHz	Need to contact us for the available frequency in CFV-206
Frequency Tolerance	$\Delta f/f_0$	$\pm 20\text{ppm}$		$\pm 30\text{ppm}$	at 25°C
Load capacitance	$C_L$	12.5pF	8.0pF	12.5pF	Need to specify your requirement
Operating Temperature Range	$T_{OPR}$	-20°C~+70°C			
Storage Temperature Range	$T_{STR}$	-40°C~+85°C			
Turnover Temperature	$T_M$	25°C $\pm$ 5°C			
Temperature Coefficient	$\beta$	-0.034 $\pm$ 0.006ppm/°C <sup>2</sup>			
Motional (series) resistance	$R_1$	35K $\Omega$ Max.	40K $\Omega$ Max.	50K $\Omega$ Max.	at 25°C
Level of drive	$D_L$	1 $\mu$ W Max.			
Aging (first year)	$\Delta f/f_0$	$\pm 3\text{ppm}$ Max.		$\pm 5\text{ppm}$ Max.	25°C $\pm$ 3°C
Shunt capacitance	$C_0$	1.2pF Typ.	1.00pF Typ.	0.8~1.7pF Typ.	Depend on frequency

# Mouser Electronics

Authorized Distributor

Click to View Pricing, Inventory, Delivery & Lifecycle Information:

## Citizen:

[CFS206-32.768KDZF-UB](#) [CFV206-36.000KAZF-UB](#) [CFV206-96.000KAZF-UB](#) [CFV206-40.000KAZF-UB](#) [CFV206-60.000KAZF-UB](#) [CFV206-100.000KAZF-UB](#) [CFV206-38.400KAZF-UB](#) [CFS206-32.768KDZB-UB](#) [CFV206-32.000KAZF-UB](#) [CFV206-76.800KAZF-UB](#) [CFV206-75.000KAZF-UB](#) [CFS145-32.768KDZF-UB](#) [CFS206-32.768KEZB-U](#) [CFS206-32.768KDZBB](#) [CFS206-32.768KDZFB](#) [CFS145-32.768KDZFB](#)