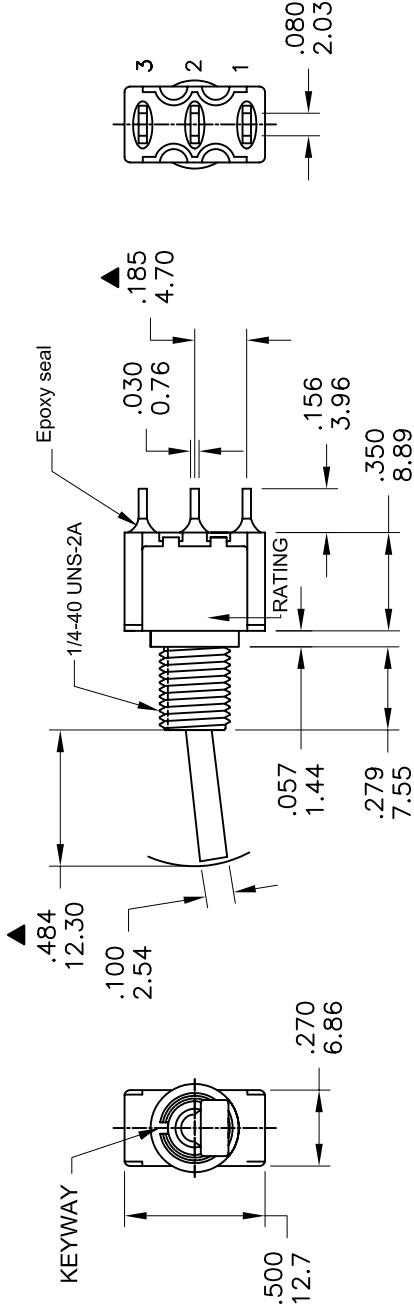
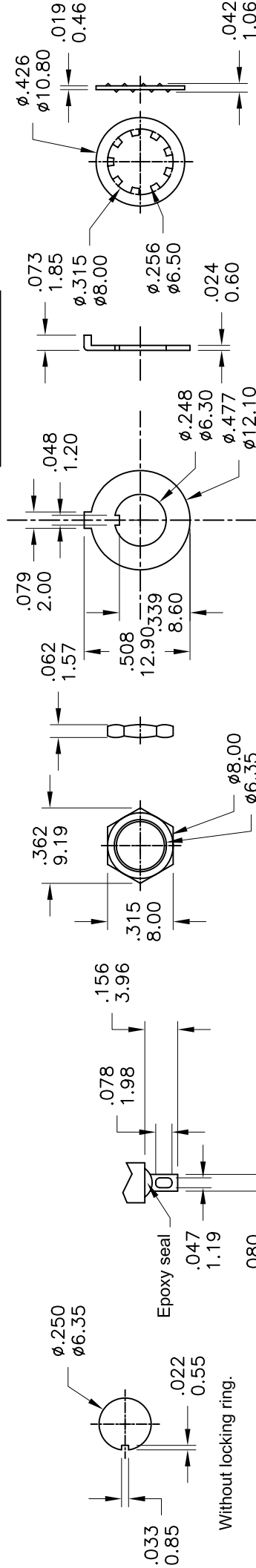


DAILYWELL copyright, may not be used
without permission from DAILYWELL



Model No.	POS.1	POS.2	POS.3
1MS1	ON	NONE	ON
Term. Comm.	2-3	OPEN	2-1
SCHEMATIC			

SWITCH FUNCTION



PANEL MOUNTING

SPECIFICATIONS
MECHANICAL LIFE: 40,000 make-and-break cycles.
CONTACT RESISTANCE: 10mΩ max. initial @ 2-4VDC
 100mA for both silver and gold plated contacts.
INSULATION RESISTANCE: 1,000MΩ min.
DIELECTRIC STRENGTH: 1,000 V RMS@sea level.
OPERATING TEMPERATURE: -30° C to 85° C.

SOLDER LUG

MATERIALS
CASE: Diallyl phthalate (DAP) (UL94v-0).
ACTUATOR: Brass,chrome plated.
BUSHING: Brass,nickel plated.
HOUSING: Stainless Steel.
TERMINAL/CONTACT:Silver or gold plated.

RATING :

R : 0.4 Volt-Amps(VA) max. @20V max.(AC or DC)
 Q : 2Amps @250VAC
 5Amps @120 VAC or 28 VDC

FILE NAME : 1MSP0895

大廣有限公司 DA KOANG CO., LTD.

符號	原尺寸	修改後尺寸	變更日期	TITLE 圖名	Miniature Toggle Switches	SIZE 圖紙	A4
1	(A)			DWG NO. 圖號	5193	UNIT 單位	inch mm
2	(B)			REV. 版本	A	DATE 日期	AUG - 04 - 2006
3	(C)			CHECKED BY 審核	RICHARD	SHEET 張數	1 of 1
4	(D)					DRAWN BY 製圖	ODA
5	(E)						