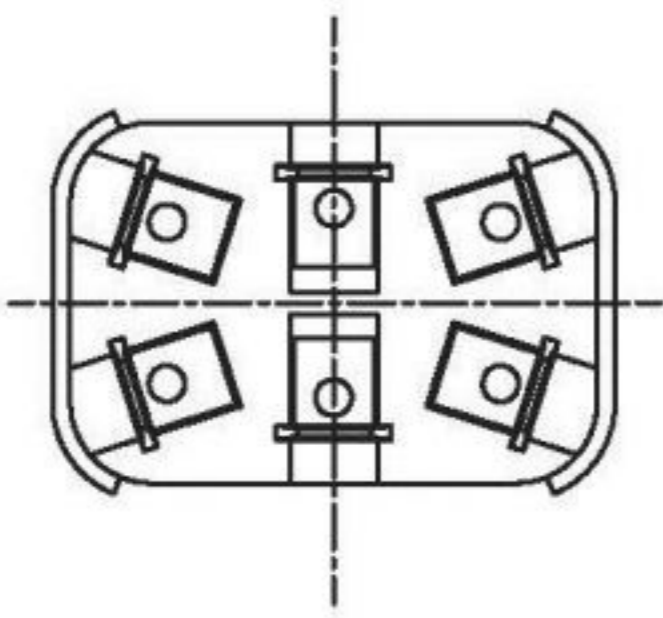
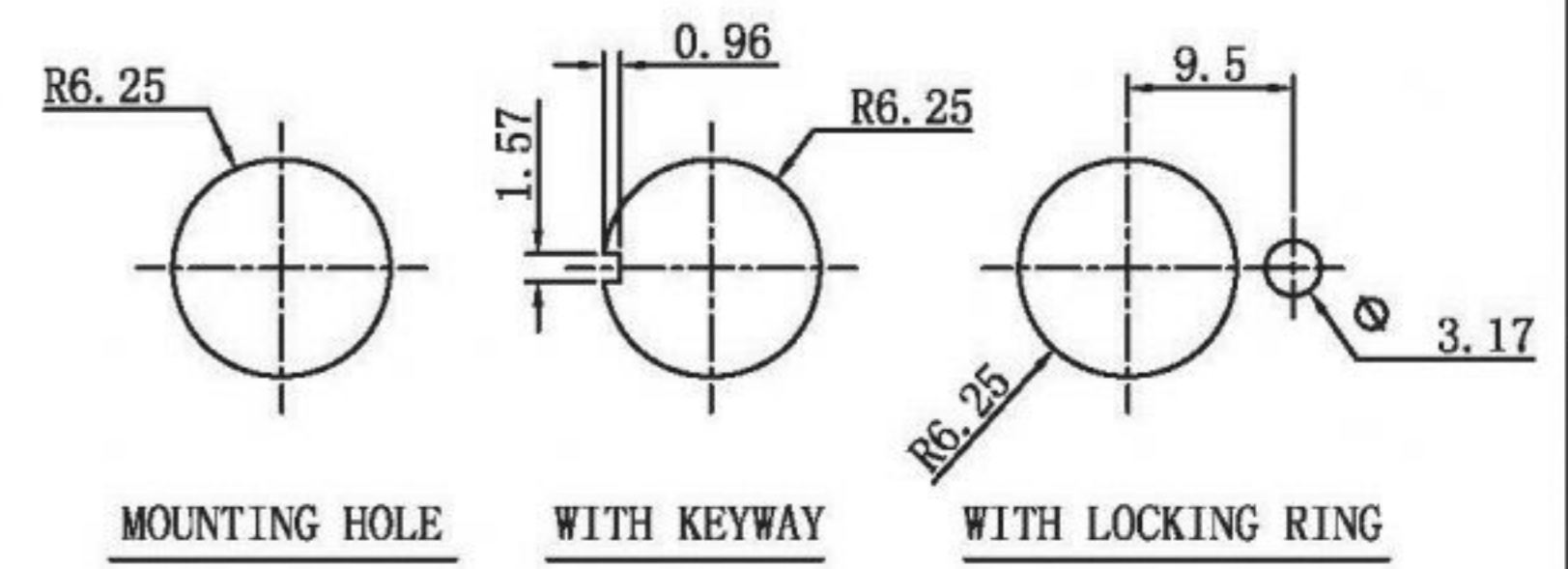
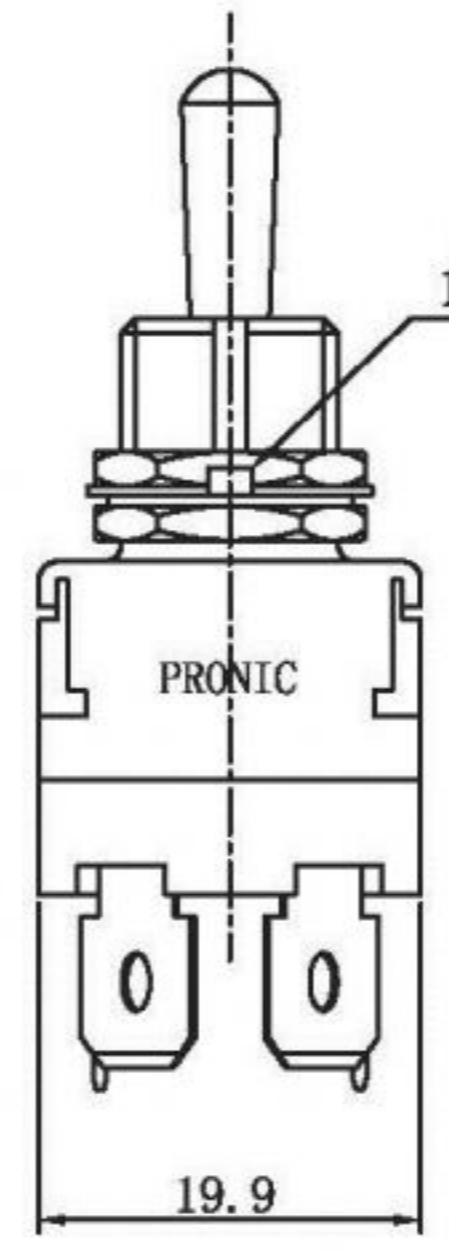
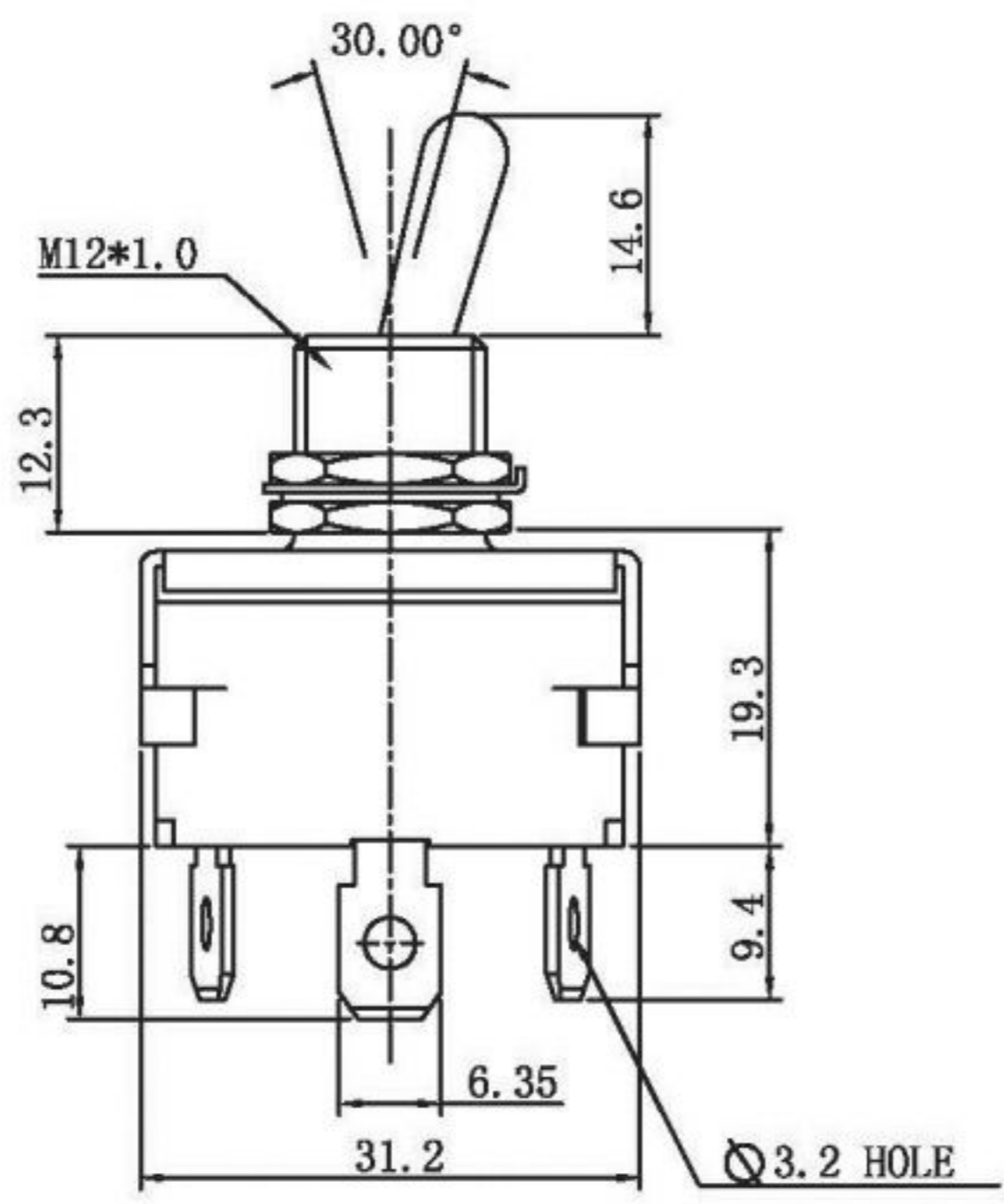


8 7 6 5 4 3 2 1

E
D
C
B
A

SPECIFICATION

CONTACT RATING :15A125VAC 10A250VAC
 INITIAL CONTACT RESISTANCE:50Milliohms Max.
 INSULATION RESISTANCE :500 Megohms Min 500VDC.
 WITHSTAND VOLTAGE :1,000 VAC-1 Minute.
 LIFE EXPECTANCY :OVER 10,000 Cycles.



UL FILE NO. :E105856
 CSA FILE NO. :LR67824

SWITCHING FUNCYION			
MODEL			
	A	B	C
50181	ON	OFF	ON

			APPROVED		TITLE	TOGGLE SWITCH	UNIT	mm
			CHECKED		MODEL	50181	TOLERANCE	±0.3
DATE	DESCRIPTION	REVISION	DRAWN	PROJECTION	DATE		SCALE	

8 7 6 5 4 3 2 1