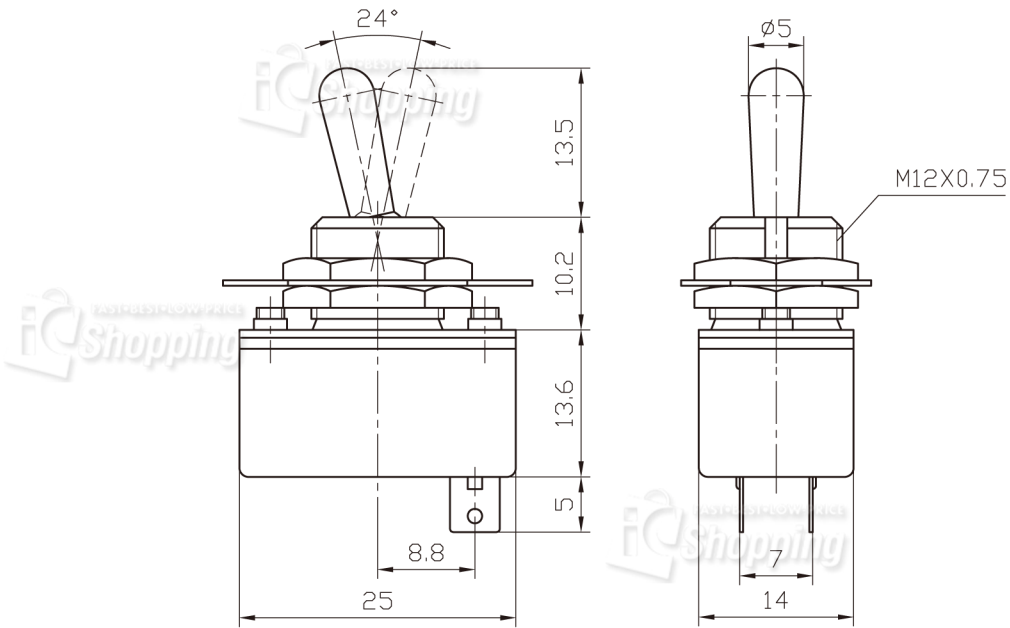


技术特性 (Specification)

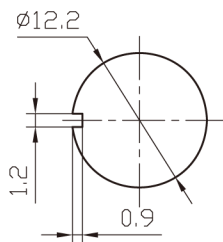
- 1. 规格 (Rating): 4A 125VAC; 2A 250VAC
- 2. 接触电阻 (Contact R): 50mΩ max
- 3. 绝缘电阻 (Insulation R): 500VDC 1000MΩ min
- 4. 耐电压 (Dielectric Strength): 1 Minute 1500VAC
- 5. 操作温度 (Operating Temperature): -25°C ~ +85°C
- 6. 电气寿命 (Electrical Life): 10, 000 Cycles

外型图 (Outline Drawing)



Unit:mm

安装尺寸 (Mounting)



电路图 (Circuitry)

