

中型钮子开关

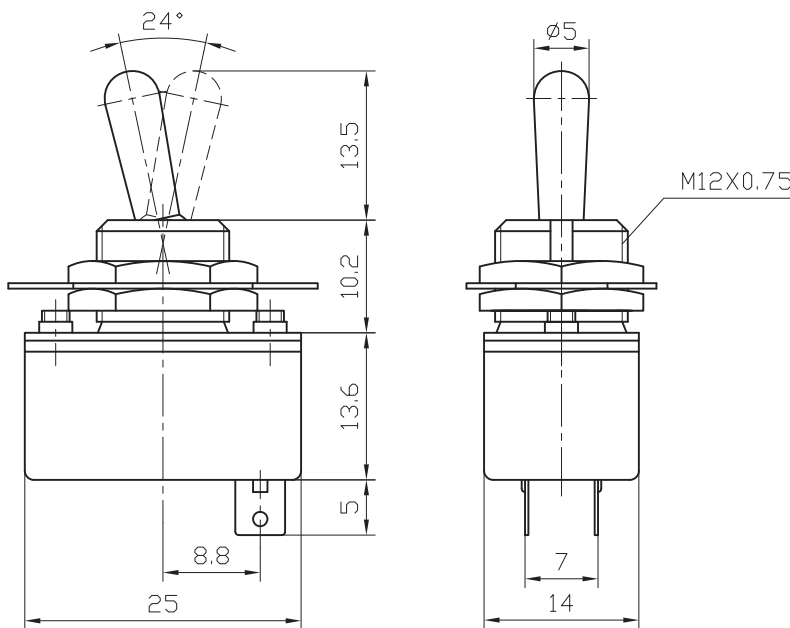
Medium Toggle Switch

型号<TYPE>: 5015

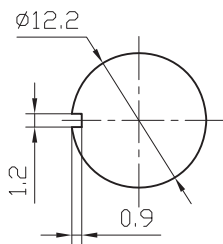
技术特性 (Specification)

1. 规格 (Rating): 4A 125VAC; 2A 250VAC
2. 接触电阻 (Contact R): $50\text{m}\Omega$ max
3. 绝缘电阻 (Insulation R): $500\text{VDC } 1000\text{M}\Omega$ min
4. 耐电压 (Dielectric Strength): 1 Minute 1500VAC
5. 操作温度 (Operating Temperature): $-25^{\circ}\text{C} \sim +85^{\circ}\text{C}$
6. 电气寿命 (Electrical Life): 10,000 Cycles

外型图 (Outline Drawing)



安装尺寸 (Mounting)



电路图 (Circuitry)

