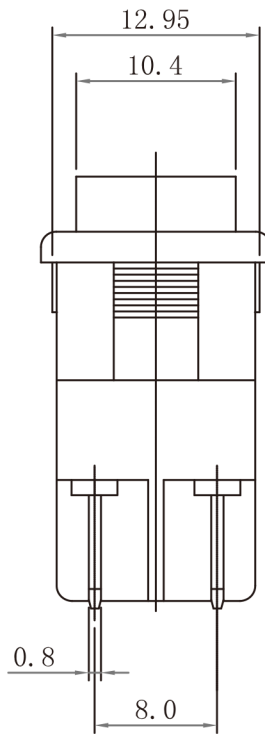
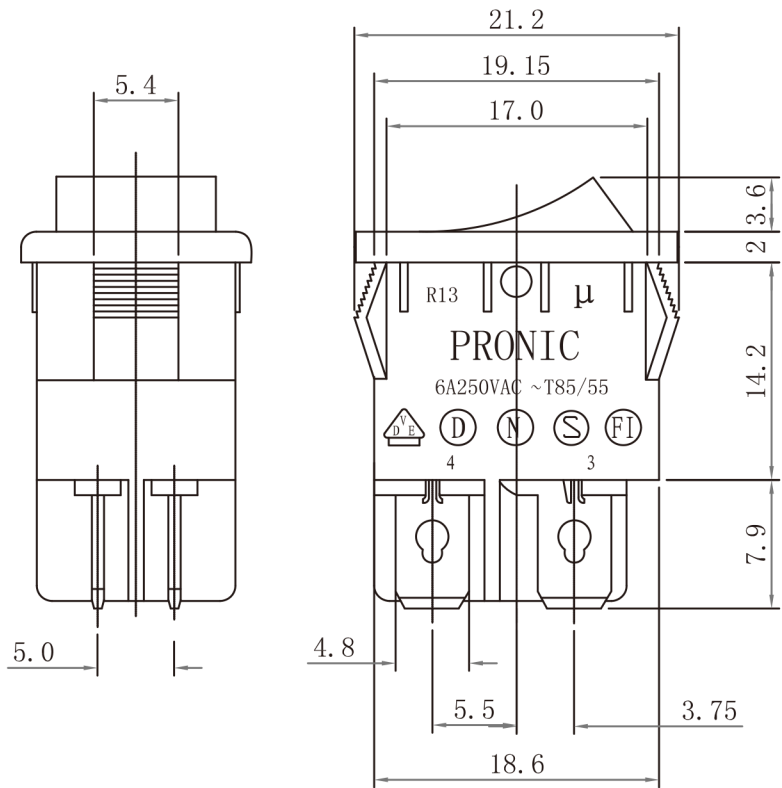
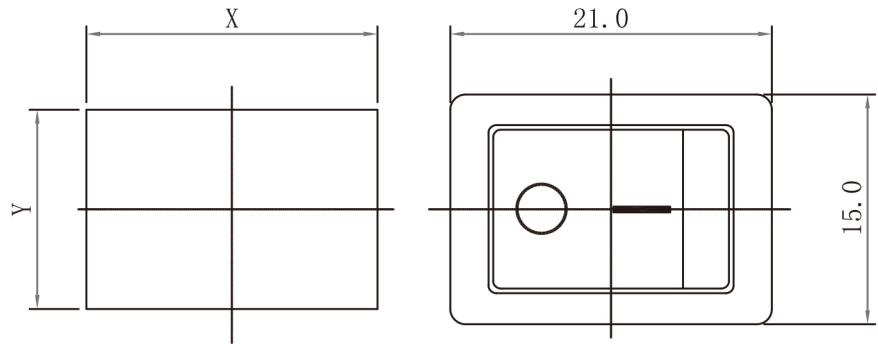


MOUNTING HOME



SPECIFICATION

CONTACT RATING: 10A125VAC 5A250VAC ()
 6(1)A250V~uT85 ()
 8A250VAC 10A125VAC ()
 10A/10A250V~ ()

INITIAL CONTACT RESISTANCE: 50Milliohms Max.
 INSULATION RESISTANCE: 500 Megohms Min. 500VDC
 WITHSTAND VOLTAGE: 2,000 VAC 5mA 1 Minute.
 LIFE EXPECTANCY: 10,000 Cycles of Operation.
 OPERATING FORCE: 600±200 gf.

RoHS COMPLIANCE

UL FILE NO: E105856
 CSA FILE NO: LR112904-6
 VDE FILE NO: 40027403
 FILE NO: CQC03002004733

SEMKO FILE NO: 500880
 DEMKO FILE NO: 313239-01
 NEMKO FILE NO: P05203636
 FIMKO FILE NO: 21498

PANEL THICKNESS	Dim. X	Dim. Y
0.75~1.25	19.2/19.1	13.0/12.9
1.25~2.0	19.4/19.3	13.0/12.9
2.0~3.0	19.8/19.7	13.0/12.9

MODEL NO	SCHEMATIC
5011	

MAIN SIZE (*)		IMPORTANT SIZE	
A1	21.0	A	21.2
B1	15.0	B	18.6
C1	10.4	C	7.9
D1	3.6	D	12.95
		E	5.0
		F	8.0
		G	5.5
		H	3.75
		I	4.8

大廣有限公司 DA KOANG CO., LTD.					DES	R13 SERIES	
TOL	>0.3~6	±0.1	DRW	肖林	12/02/06	TITLE	ROCKER SWITCH
	>6~30	±0.15	DESIGN	肖林	12/02/06	DWG NO.	PNA-000782
	>30	±0.3	CHECKED			MODEL	5011
SCALE	2:1	UNIT	mm	APPROVED		VERSION	A0
PROJ			TOTAL	1	PAGE	1	DATE