

Part number		<b>SKRHADE010</b>
Type		Surface mount
Operating force	4-direction	1.2N
	Center push	2.35N
Travel	4-direction	0.25mm
	Center push	0.15mm
Operating life (5mA 5V DC)		1,000,000 cycles for each direction
Initial contact resistance		100m $\Omega$ max.
Stem color		Natural
Guide bosses		With
Operating temperature range		-40°C to +85°C
Ratings (max.)/(min.) (Resistive load)		50mA 12V DC/10 $\mu$ A 1V DC
Electrical performance	Directional resolution	4-direction
	Insulation resistance	100M $\Omega$ min. 100V DC
	Voltage proof	100V AC for 1 minute
Mechanical performance	Directional operating force	1.2 $\pm$ 0.69N
	Push operating force	2.35 $\pm$ 0.69N
	Actuator strength Operating direction	29.4N
Durability	Operating life Center push	1,000,000 cycles
Environmental performance	Cold	-40 $\pm$ 2°C for 96h
	Dry heat	90 $\pm$ 2°C for 96h
	Damp heat	60 $\pm$ 2°C, 90 to 95%RH for 96h

Minimum order unit (pcs.) Japan

1,300

Export

1,300

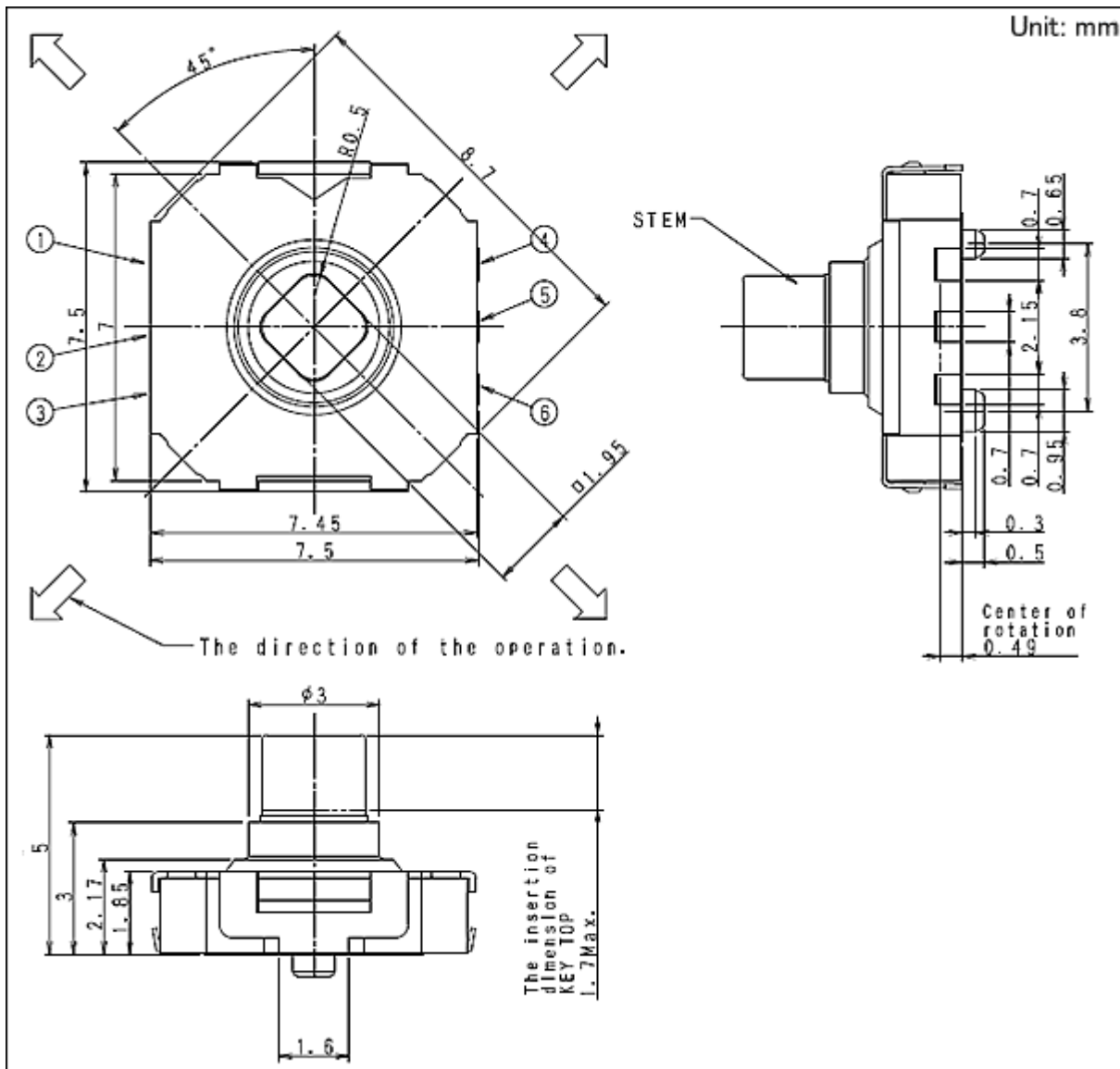
3D CAD (STEP)



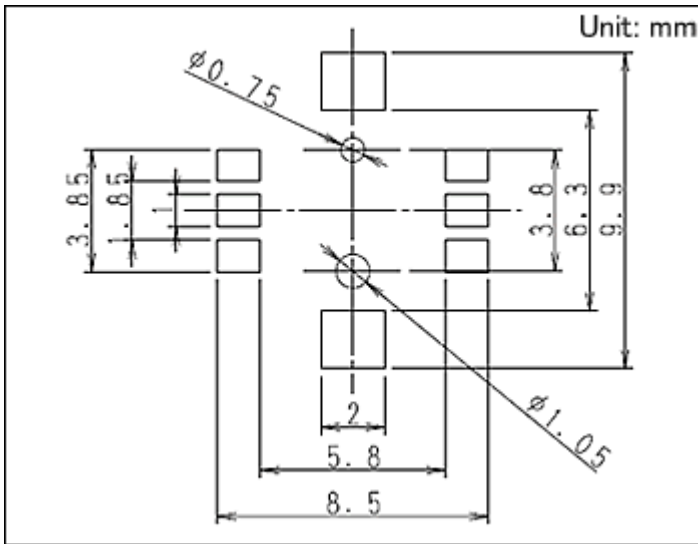
Certificate of Compliance to RoHS regulations



### Dimensions

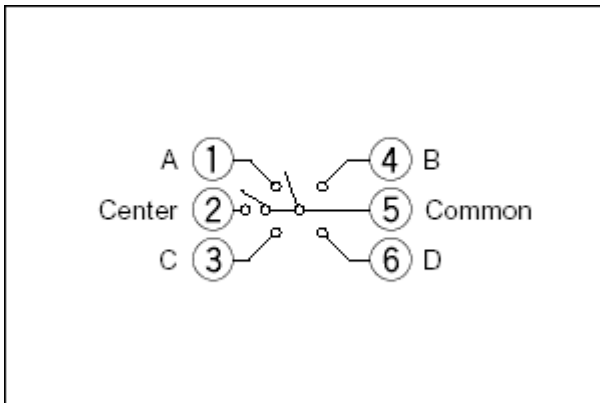


**Land Dimensions**



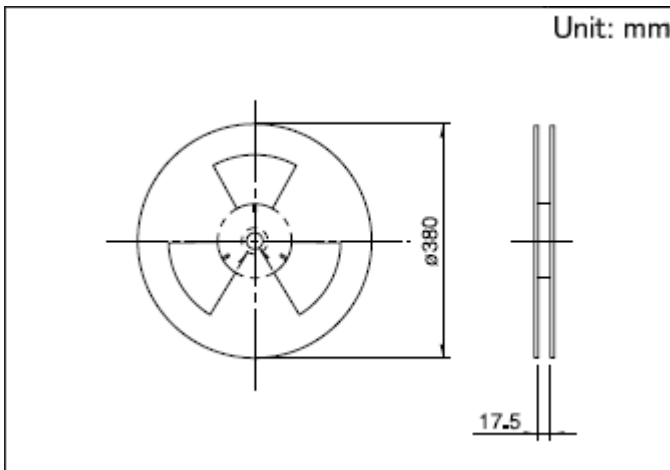
Viewed from mounting face

**Circuit Diagram**



Packing Specifications

**Taping**



Number of packages (pcs.)	1 reel	1,300
	1 case / Japan	10,400
	1 case / export	10,400

---

packing

---

Tape width (mm) 16

---

Export package measurements (mm) 401×401×214

---

### Soldering Condition

Example of Reflow Soldering Condition

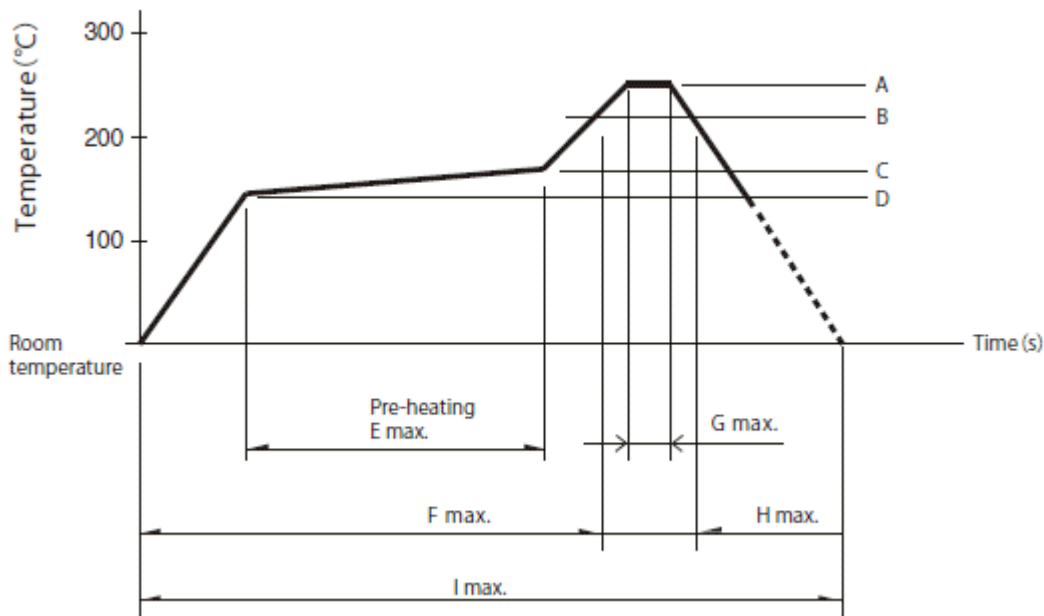
1. Heating method:

Double heating method with infrared heater.

2. Temperature measurement:

Thermocouple 0.1 to 0.2 Φ CA (K) or CC (T) at solder joints (copper foil surface). A heat resisting tape should be used to fix thermocouple.

3. Temperature profile



---

A	B	C	D	E	F	G	H	I	No. of reflows
260°C	230°C	180°C	150°C	2 min.	-	-	40s	-	1 time

---

(1) The condition mentioned above is the temperature on the mounting surface of a PC board. There are cases where the PC board's temperature greatly differs from that of the switch, depending on the PC board's material, size, thickness, etc. The above-stated conditions shall also apply to switch surface temperatures.

(2) Soldering conditions differ depending on reflow soldering machines. Prior verification of soldering condition is highly recommended.

## Reference for Hand Soldering

---

Tip temperature 350±5°C

---

Soldering time 3s max.

---

No. of solders 1 time

---