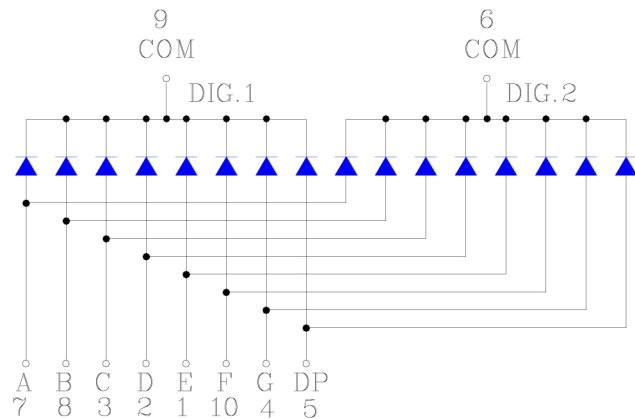
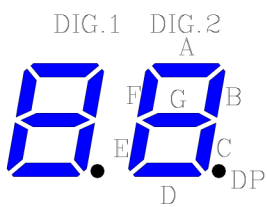


NOTE: TOLERANCE  $\pm 0.3\text{mm}$

PIN FUNCTION



Parameter	Symbol	MIN.	TYP.	MAX.	UNIT	TEST CONDITION
Forward Voltage	V <sub>F</sub>	1.5	1.8	2.4	V	I <sub>f</sub> =20mA
Peak Wavelength	λ <sub>p</sub>	640	645	650	nm	
Reverse Current	I <sub>R</sub>			100	μA	V <sub>R</sub> =5V
Power dissipation	P <sub>d</sub>			110	mW	
Luminous Intensity	I <sub>V</sub>	1.25	1.4		mcd	I <sub>f</sub> =20mA
Peak Forward Current	I <sub>f</sub> (Peak)			200	mA	
Recommend Forward Current (Single Chip)	I <sub>f</sub> (Rec)		20		mA	

Chip Material: GaAlAs/GaAs

Emitted color: SUPER RED

CA or CC: CC

Colloid Color: WHITE

Face Color: BLACK

■ ABSOLUTE MAXIMUM RATINGS: (T<sub>a</sub>=25°C)

■ OPERATING TEMPERATURE: -40°C TO 80°C

■ LEAD SOLDERING: 260°C FOR 5 SECONDS