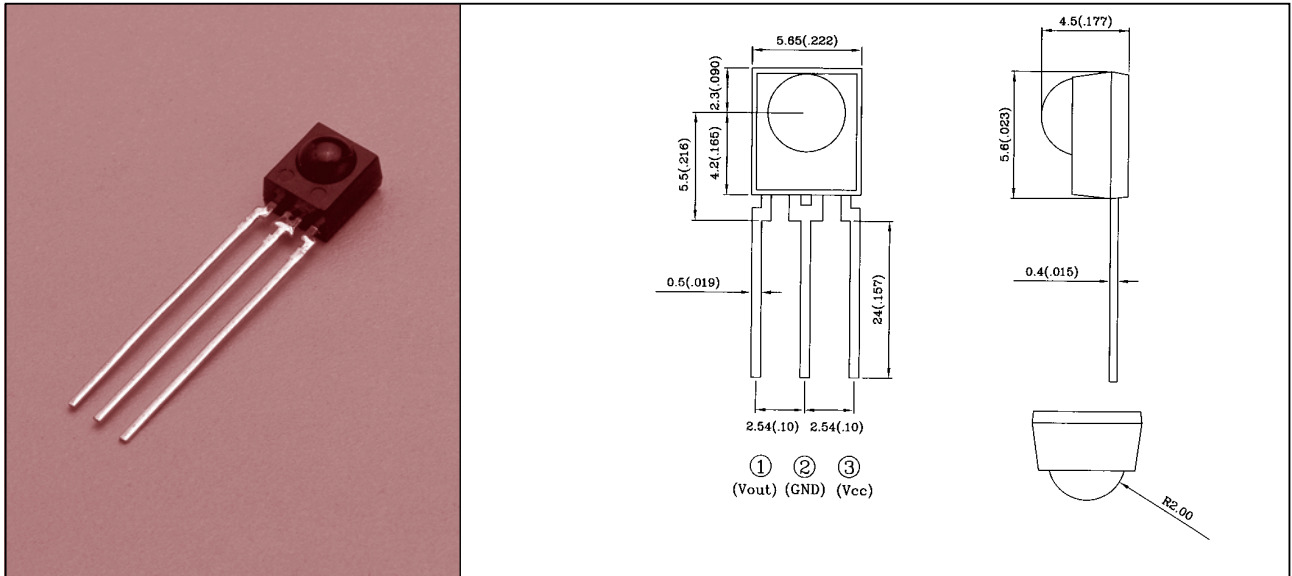


PL - IRM0208-A538 RECEIVER MODULE



◆ ABSOLUTE MAXIMUM RATING:(Ta=25°C)

PARAMETER	Test Conditions	Symbol	Value	Unit
Supply Voltage	-	Vcc	4.5~5.5	V
Output Voltage	-	Vout	4.5~5.5	V
Output Current	-	I _o	5	mA
Junction Temperature	-	T _i	100	°C
Storage Temperature Range	-	T _{stg}	-25°C to 85°C	°C
Operating Temperature Range	-	T _{otr}	-25°C to 85°C	°C
Power Consumption	-	P _{tot}	50	mw
Soldering Temperature	t ≤ 10s, 1mm from case	T _{sd}	260	°C

◆ ELECTRO-OPTICAL CHARACTERISTICS:(Ta=25°C)

Parameter	Symbol	Min	Typ	Max	Unit	Conditions
Supply Current	I _{cc}	0.9	1.2	1.5	mA	I _{in} =0 uA
Max. Input Current	I _{in(max)}	-	1	-	mA	V _{in} ≥ 0V ; V _S =5V T _{amb} =25°C
Max. Voltage Gain	A _v	50	52	53	dB	F _{in} =37.9 KHz V _{in} =30 uVp-p AGC off
Frequency Range	f	-	38.0	-	KHz	-
Output Pulse Width	t _{PW1}	500	600	700	us	F _{in} =37.9 KHz burst wave V _{in} =500 uVp-p
	t _{PW2}	500	600	700	us	F _{in} =37.9 KHz burst wave V _{in} =50 uVp-p
Low Level Output Voltage	V _{ol}	-	0.20	0.25	V	-
High Level Output Voltage	V _{oh}	4.5	-	5.5	V	-
Arrival Distance	d	-	35	-	m	L-514EIR1C IF=300 mA

1.All dimension are in millimeters(inches).

2.Tolerance is ±0.25mm(0.01")unless otherwise specified.