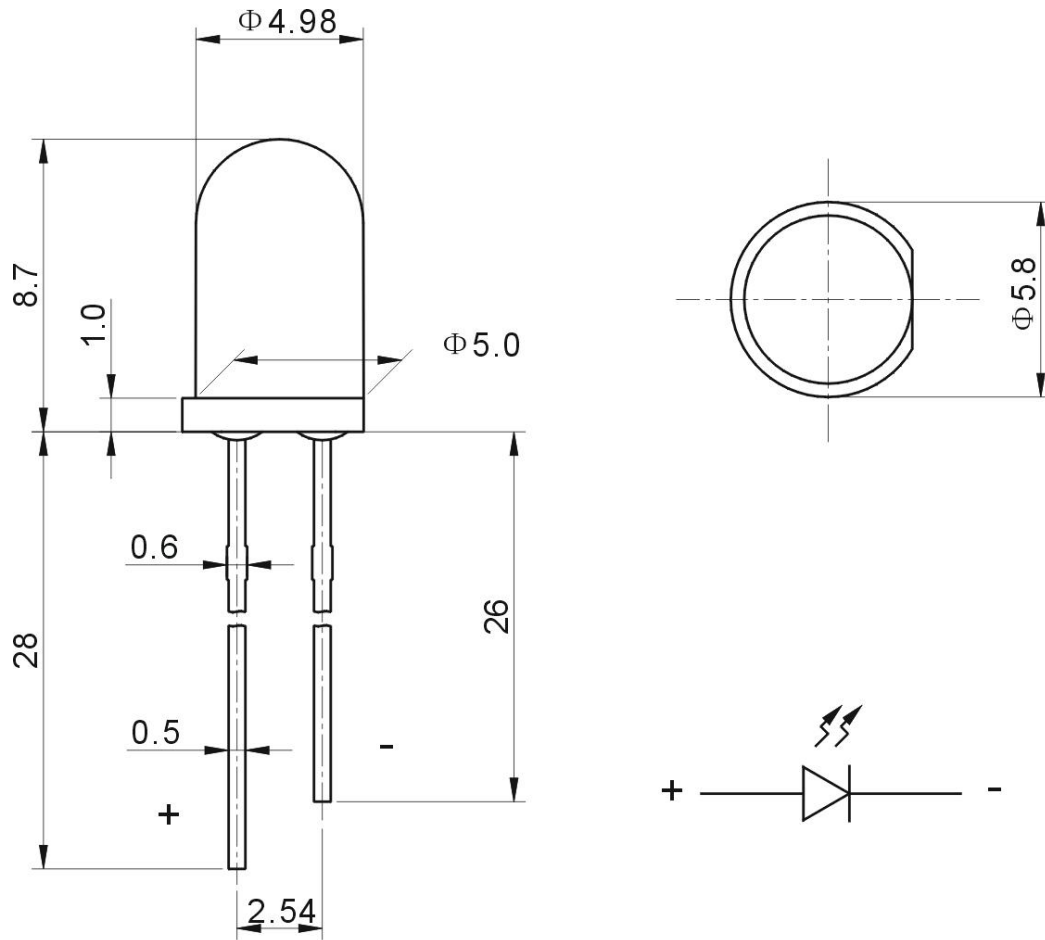


Part No.: IR523C-B30Z1

UNIT: mm



NOTE: TOLERANCE ± 0.5 mm

Parameter	Symbol	Min.	Typ.	Max.	UNIT	Test Condition
Forward Voltage	V_F	1.5	1.6		V	$I_F=50\text{mA}$
Radiant Intensity	E_e	60	80		mW/sr	$I_F=50\text{mA}$

Peak Wavelength	λ_p		940		nm	I_F=50mA
Reverse Current	IR			10	μA	VR=5V
Peak Forward Current	If (Peak)			200	mA	
Viewing Angle	θ		30		deg	I_F=50mA
Power dissipation	Pd		100		mW	

- **ABSOLUTE MAXIMUM RATINGS:** (Ta = 25°C)
- **OPERATING TEMPERATURE:** -40°C TO +80°C
- **LEAD SOLDERING:** 260°C FOR 5 SECONDS