

YF923-F5-F8

Shift register programmable RGB Lamp

Feature

- Power supply: DC4.5V-6V
- Integrate RGB LEDs with Control IC at same body
- Support 256 dimming level for each color
- Internal frequency up to 800K Hz
- Single wire signal transmission (clock and Data)
- To be controlled by external MCU to achieve target image
- Available on ϕ 5mm, ϕ 8mm
- No external component required

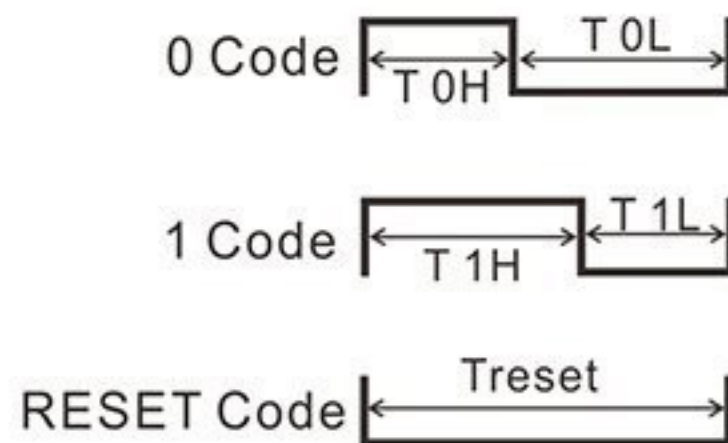
Package Type



Package selection

PART No.	Package
PL9823-F8	ϕ 8mm

Timing waveform



Name	Description	Typically	Allowable error
T0H	0 code, high level time	$0.35 \mu s$	$\pm 150 ns$
T1H	1 code, high level time	$1.36 \mu s$	$\pm 150 ns$
T0L	0 code, low level time	$1.36 \mu s$	$\pm 150 ns$
T1L	1 code, low level time	$0.35 \mu s$	$\pm 150 ns$
RES	RESET code	$50 \mu s$	

Application Note

