

**BRC-DS-210 Series**

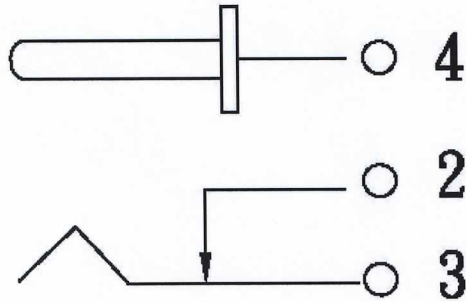
**DC POWER JACK :: BRC-DS-210 Series**



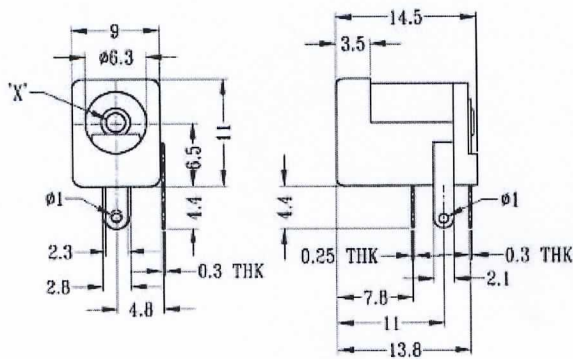
BRC-DS-210 Series

- Rating : 0.3A 30VDC
- DIA. OF PIN 'X' A=2.5 mm
- DIA. OF PIN 'X' B=2.0 mm
- DIA. OF PIN 'X' C=2.35 mm
- 3 Pin
- Plastic materials: PBT+G30

**SPECIFICATION**



**DRAWING**



**APPROVAL MARKS**

