

PLUG IN TYPE TERMINAL BLOCK

ETB 86,88 SERIES

PITCH=3.5mm (0.137inch)

E133988(R)

FEATURES

- Special wire protector design to ensure reliable wire clamping
- Be capable of clamping a wide range of wire diameters
- The male connector of plug using a twin leaf phosphor bronze contact mates with the female socket
- The female socket is mounted and soldered to the P.C.B.
- Good for insertion & withdrawal
- UL 94V-0 grade fire retardant engineering plastic used for the housing

APPLICATIONS

- Security system
- Auto control system of instrument
- Electromechanical interface
- Telecommunication
- Game controller

SPECIFICATIONS

- Pitch: 3.5mm(0.137inch)
- Wire range: 16 AWG to 28 AWG
- Rated: 6 Amp, 300 VAC
- Housing material: Polyamide 66 (UL 94V-0) resin
- Terminals: Tin plated over Brass
- Screws: Zinc plated over Steel
- Wire cage: Nickel Plated over Zinc Alloy
- Wire protector: Tin plated over Brass
- Dielectric strength: 2000 VAC (Min.)
- Insulation resistance: 500 M Ω , 500 VDC



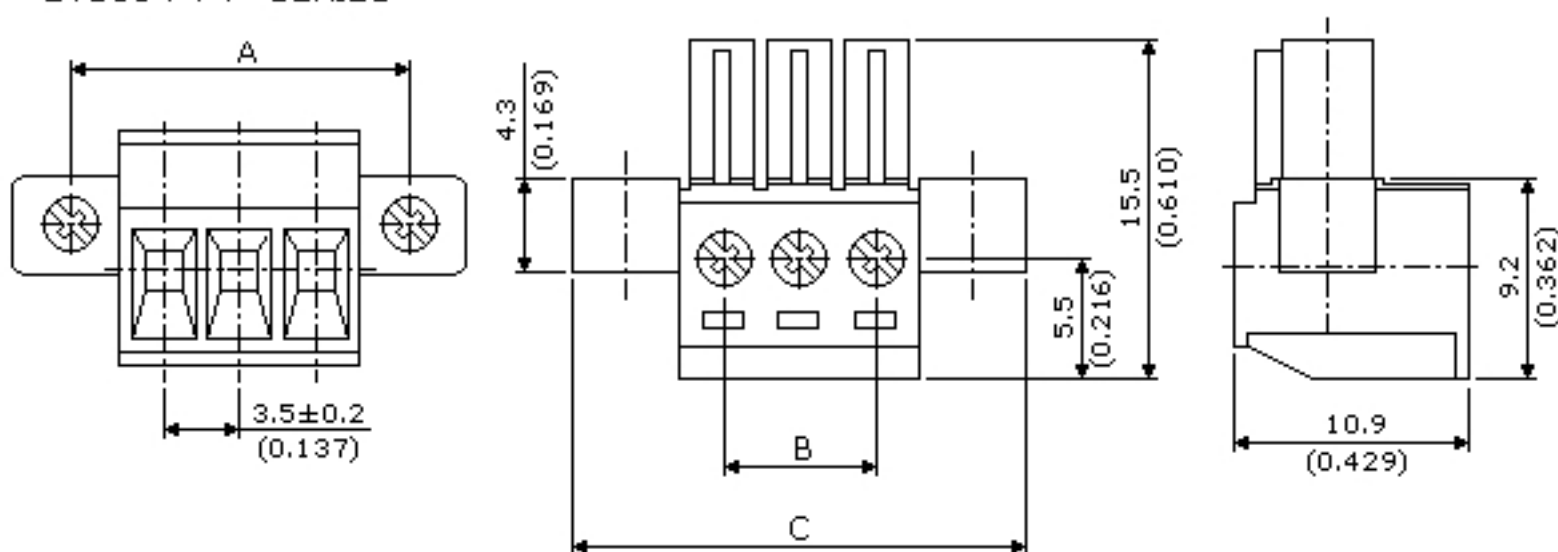
PART NUMBERING SYSTEM

ETB	86	03	0	G	0	00	Z
							+--- Z:RoHS Compliant
							+--- Special number
							+--- Screw type
							0:"+" screw (for ETB86)
							1:"- " screw (for ETB86)
							0:No screw (for ETB88)
							+--- Housing color:
							B:Blue, G:Green, K:Black
							+--- Terminal type:
							0:Body type (for ETB86)
							1: Straight pin type (for ETB88)
							2: Right angle type (for ETB88)
							+--- Number of pins
							+--- Series: Dimensions and rated
							86: Male Connector of plug alignment
							screw type (Pitch=3.5mm)
							88: Female socket threaded insert holes
							(Pitch=3.5mm)
							+--- Model

DRAWING

DIMENSIONS UNIT:mm(inch)

ETB86*** SERIES



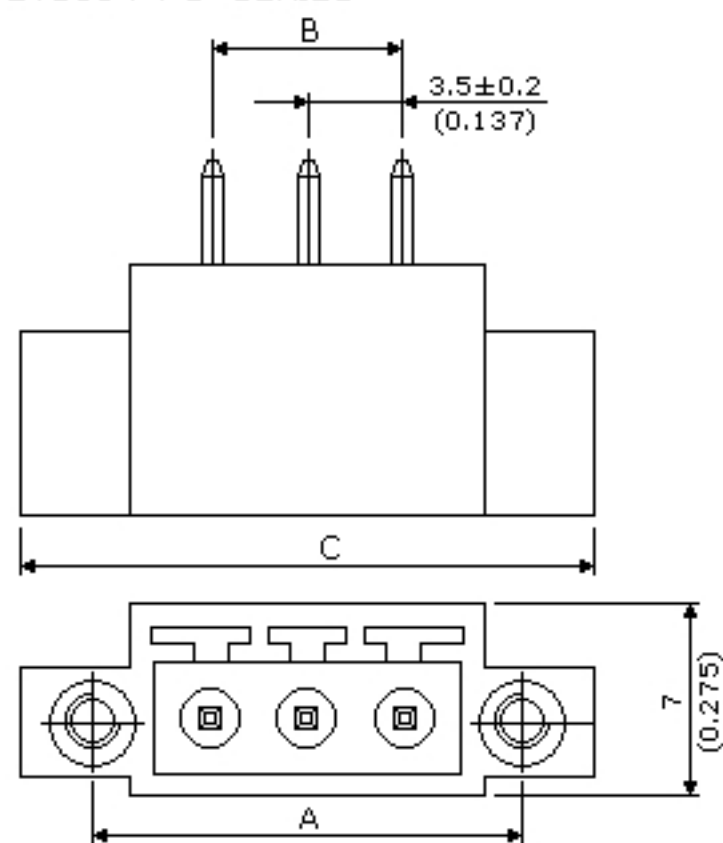
Pitch=3.5mm(0.137inch)

**NUMBER OF POLE 02~12.

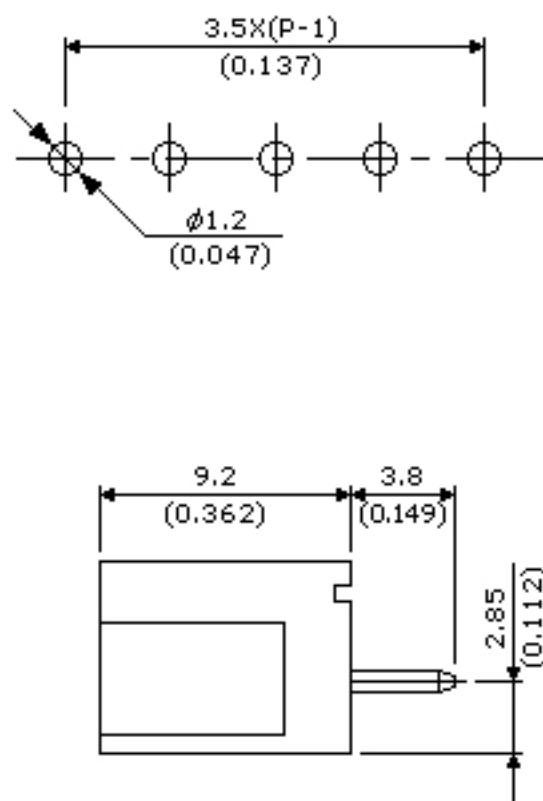
POLE	2	3	4	5	6	7	8	9	10	11	12
A±0.5	12.1 (0.476)	15.6 (0.614)	19.1 (0.751)	22.6 (0.889)	26.1 (1.027)	29.6 (1.165)	33.1 (1.303)	36.6 (1.440)	40.1 (1.578)	43.6 (1.716)	47.1 (1.854)
B±0.5	3.5 (0.137)	7.0 (0.275)	10.5 (0.413)	14.0 (0.551)	17.5 (0.688)	21.0 (0.826)	24.5 (0.964)	28.0 (1.102)	31.5 (1.240)	35.0 (1.377)	38.5 (1.515)
C±0.8	17.3 (0.681)	20.8 (0.818)	24.3 (0.956)	27.8 (1.094)	31.3 (1.232)	34.8 (1.370)	38.3 (1.507)	41.8 (1.645)	45.3 (1.783)	48.8 (1.921)	52.3 (2.059)

DIMENSIONS UNIT:mm(inch)

ETB88**1 SERIES



P.C.B LAYOUT



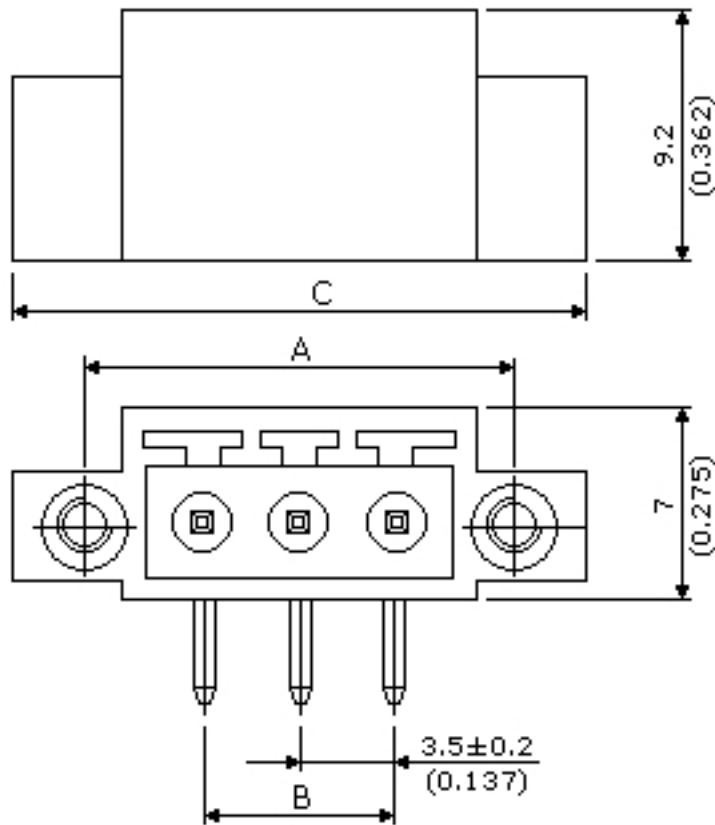
Pitch=3.5mm(0.137inch)

**NUMBER OF POLE 02~12.

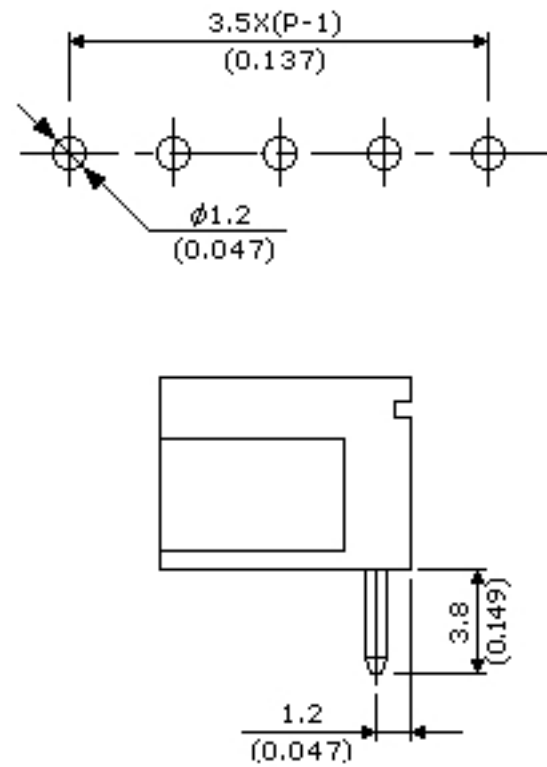
POLE	2	3	4	5	6	7	8	9	10	11	12
A±0.5	12.1 (0.476)	15.6 (0.614)	19.1 (0.751)	22.6 (0.889)	26.1 (1.027)	29.6 (1.165)	33.1 (1.303)	36.6 (1.440)	40.1 (1.578)	43.6 (1.716)	47.1 (1.854)
B±0.5	3.5 (0.137)	7.0 (0.275)	10.5 (0.413)	14.0 (0.551)	17.5 (0.688)	21.0 (0.826)	24.5 (0.964)	28.0 (1.102)	31.5 (1.240)	35.0 (1.377)	38.5 (1.515)
C±0.8	17.3 (0.681)	20.8 (0.818)	24.3 (0.956)	27.8 (1.094)	31.3 (1.232)	34.8 (1.370)	38.3 (1.507)	41.8 (1.645)	45.3 (1.783)	48.8 (1.921)	52.3 (2.059)

DIMENSIONS UNIT:mm(inch)

ETB88**2 SERIES



P.C.B LAYOUT



Pitch=3.5mm(0.137inch)

**NUMBER OF POLE 02~12.

POLE	2	3	4	5	6	7	8	9	10	11	12
A±0.5	12.1 (0.476)	15.6 (0.614)	19.1 (0.751)	22.6 (0.889)	26.1 (1.027)	29.6 (1.165)	33.1 (1.303)	36.6 (1.440)	40.1 (1.578)	43.6 (1.716)	47.1 (1.854)
B±0.5	3.5 (0.137)	7.0 (0.275)	10.5 (0.413)	14.0 (0.551)	17.5 (0.688)	21.0 (0.826)	24.5 (0.964)	28.0 (1.102)	31.5 (1.240)	35.0 (1.377)	38.5 (1.515)
C±0.8	17.3 (0.681)	20.8 (0.818)	24.3 (0.956)	27.8 (1.094)	31.3 (1.232)	34.8 (1.370)	38.3 (1.507)	41.8 (1.645)	45.3 (1.783)	48.8 (1.921)	52.3 (2.059)