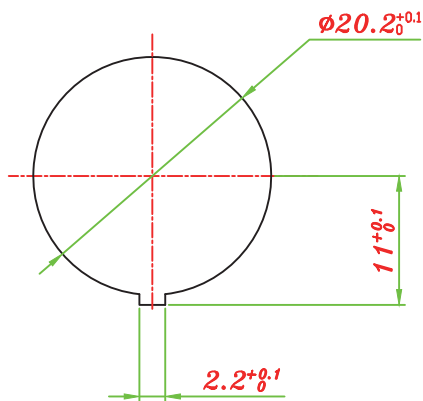


MOUNTING HOLE



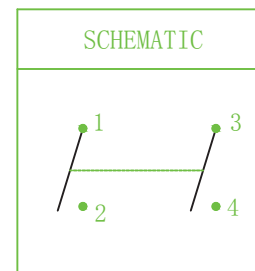
SPECIFICATION

Contact Rating : 10A125VAC 5A250VAC ()
 6 (1) A250V~ μ T85 ()
 5A/2×250V~()

Initial Contact Resistance : 50 Milliohm Max.
 Insulation Resistance : 500 Megohms Min. 500VDC.
 Withstand Voltage : 1,000 VAC-1 Minute.
 Life Expectancy : OVER 10,000 Cycles.
 Operating Force : 400±200 Gram.

UL FILE NO: E105856
 CSA FILE NO: LR 112904-6
 VDE FILE NO: 40027403
 FILE NO: CQC03002004733

DEMKO FILE NO: 05005
 NEMKO FILE NO: P16220654
 SEMKO FILE NO: 16220654
 FI FILE NO: 29544



主要尺寸 (*)		重要尺寸	
A1	4.0±0.2	A	7.9±0.1
B1	22.8±0.2	B	4.8±0.1
		C	10.7±0.1

大廣有限公司 DA KOANG CO., LTD.				DES	R130 SERIES		
TOL	>0.3~6	±0.1	DRW	kenneth	20/04/07	TITLE	ROCKER SWITCH
	>6~30	±0.15	DESIGN	张红喜	19/12/25	DWG NO.	PNA-000227
	>30	±0.3	CHECKED	kenneth	20/04/07	MODEL	51720
SCALE	1.5:1	UNIT	mm	APPROVED		VERSION	A1
PROJ		TOTAL	1	PAGE	1	DATE	