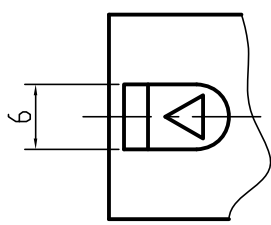
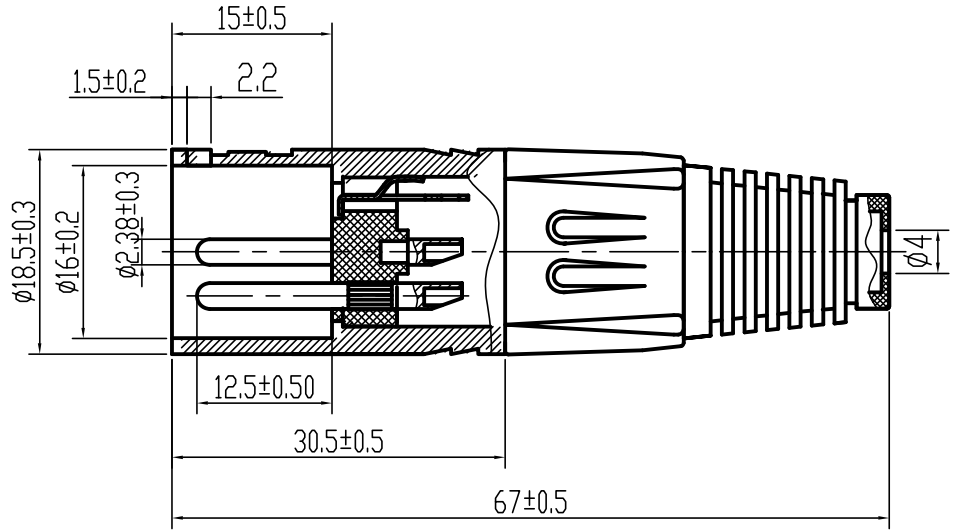
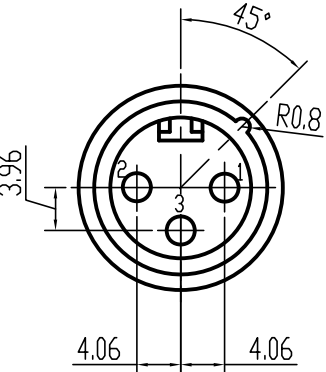


A B C D E

1
2
3
4
5
6



大廣有限公司 DA KOANG CO., LTD.

DATE DWN CHKD APVD MANAGER

12.08.2005

PART NAME: 3P MIC MALE CONNECTOR

PART NUMBER: 1067

VERSION:2.0

TOLERANCE :±0.3mm UNLESS OTHERWISE SPECIFIED

UNIT:mm



SCALE:

A B C D E

1
2
3
4
5
6