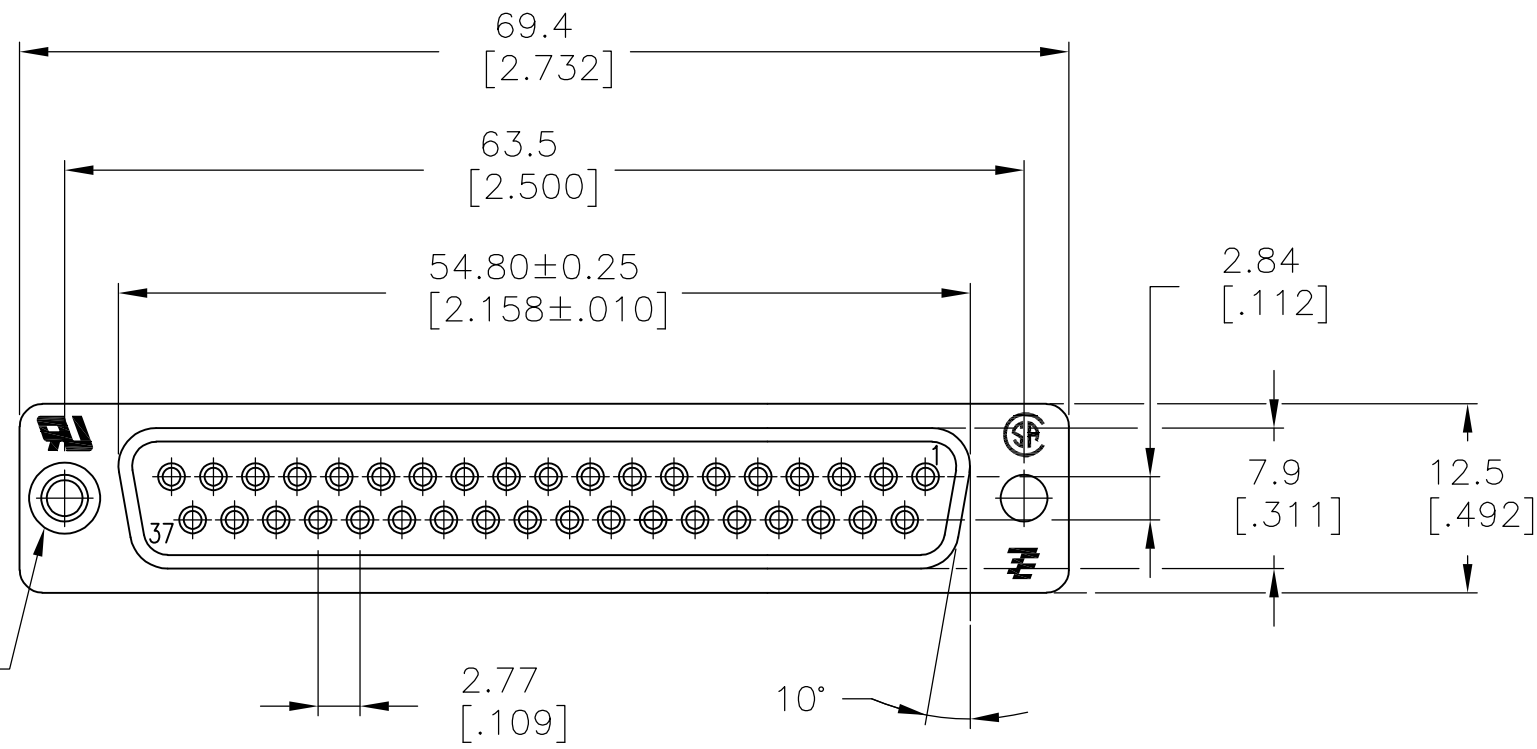
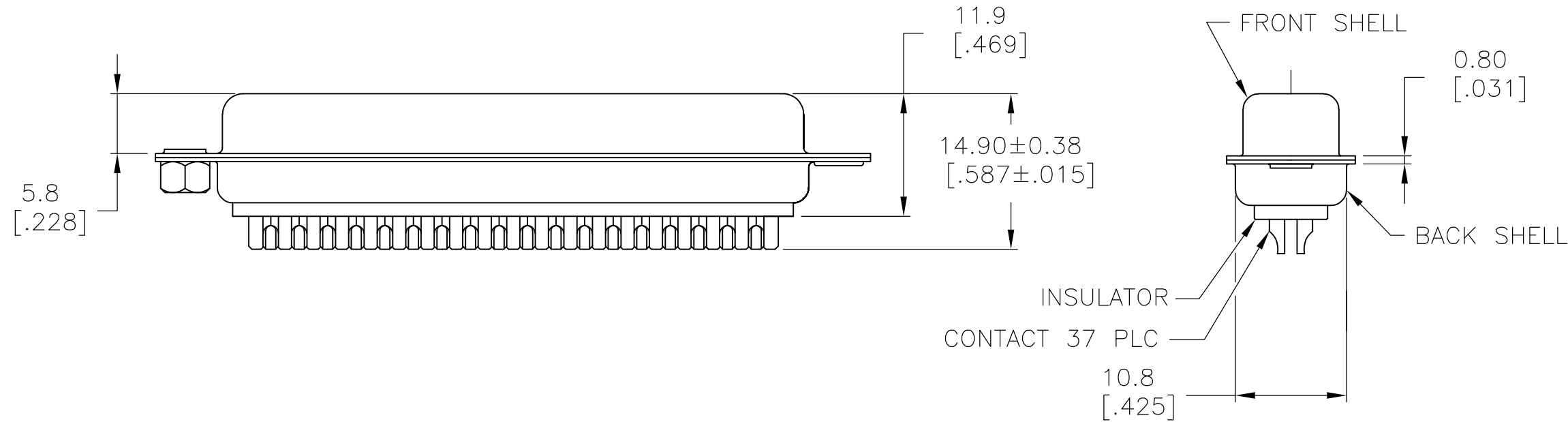


THIS DRAWING IS UNPUBLISHED. RELEASED FOR PUBLICATION
 © COPYRIGHT - By - ALL RIGHTS RESERVED.

LOC		DIST		REVISIONS			
P	LTR	DESCRIPTION		DATE	DWN	APVD	
GP	00	V		REVISED PER ECO-15-010090	16JUL2015	AP	DG



CLINCH NUT
4-40UNCx3.0 2 PLC



- 1 MATERIAL:
FRONT INSULATOR: PBT, 30 %GF, UL94V-0, BLACK COLOR
BACK INSULATOR: PBT, 30 %GF, UL94V-0, BLACK COLOR
CONTACT: BRASS
FRONT SHELL: STEEL
BACK SHELL: STEEL
CLINCH NUTS: BRASS
- 2 FINISH:
CONTACT: GOLD PLATING 0.00002[.000008] MIN ON CONTACT AREA 0.00229 [.000090] MIN TIN-LEAD PLATING ALL OVER 0.00127[.000050] MIN NICKEL
- 3 CONTACT: GOLD PLATING 0.00076[.000030] MIN ON CONTACT AREA 0.00229 [.000090] MIN TIN-LEAD PLATING ALL OVER 0.00127[.000050] MIN NICKEL
- 4 SHELL: BRIGHT TIN 0.00241[.000095] MIN FULL SHELL
- 5 SHELL: BLUE ZINC: 0.00508[.000200] - 0.00762[.000300] OVER ENTIRE SHELL
- 6 CONTACT: GOLD PLATING 0.00002[.000008] MIN ON CONTACT AREA 0.00229 [.000090] MIN HOT DIPPED TIN-COPPER PLATING ALL OVER 0.00127[.000050] MIN NICKEL
- 7 CLINCH NUTS: NICKEL PLATING .00305-.00508[.000120-.000200]
- 8 SPECIFICATION
ELECTRICAL CHARACTERISTICS: CURRENT RATING: 3 AMPERES
DIELECTRIC WITHSTANDING VOLTAGE: AC 1000V r.m.s
INSULATION RESISTANCE: 5000 MEGOHMS MINIMUM AT DC 500V
CONTACT RESISTANCE: 10 MILLIOHMS MAXIMUM.
- 9 ROHS 2002/95/EC COMPLIANT
- 10 RECEPTACLE ASSEMBLY MATES WITH ANY 37 POSITION PLUG IN AMPLIMITE SERIES
- 11 SOLDER CUP WILL ACCOMMODATE 20 MAX AWG WIRE.
- 12 CONTACT: GOLD PLATING 0.00076[.000030] MIN ON CONTACT AREA 0.00229[.000090] MIN HOT DIPPED TIN-COPPER ALL OVER 0.00127[.000050] MIN NICKEL PLATING

REVISION	DESCRIPTION	DATE	BY	CHKD	APVD	PART NO.
1	STANDARD	NO				5-747917-4
2	STANDARD	YES				5-747917-6
3	STANDARD	NO				5-747917-5
4	STANDARD	NO				5-747917-2
5	STANDARD	NO				747917-7
6	STANDARD	YES				747917-6
7	STANDARD	NO				747917-5
8	STANDARD	NO				747917-4
9	STANDARD	NO				747917-2
	PACKAGING TYPE	CLINCH NUTS	CONTACTS	SHELLS	PART NO.	

THIS DRAWING IS A CONTROLLED DOCUMENT. DIMENSIONING AND TOLERANCING PER ASME Y14.5M-2009		DWN M. BINNER 04MAR03	TE Connectivity	
DIMENSIONS: mm [INCHES]		CHK R. BENDORF 05MAR03	RECEPTACLE ASSEMBLY, SOLDER CUP, SIZE 4, 37 POSN, HD-20, AMPLIMITE	
TOLERANCES UNLESS OTHERWISE SPECIFIED: 0 PLC ± - 1 PLC ± 0.25 2 PLC ± 0.13 3 PLC ± 0.05 4 PLC ± - ANGLES ± 4°		APVD R. BENDORF 05MAR03	DRAWING NO A2 00779 C=747917	
MATERIAL 1	FINISH SEE TABLE	PRODUCT SPEC APPLICATION SPEC WEIGHT CUSTOMER DRAWING	SCALE 2:1	SHEET 1 of 1

Mouser Electronics

Authorized Distributor

Click to View Pricing, Inventory, Delivery & Lifecycle Information:

[TE Connectivity:](#)

[5-747917-2](#)