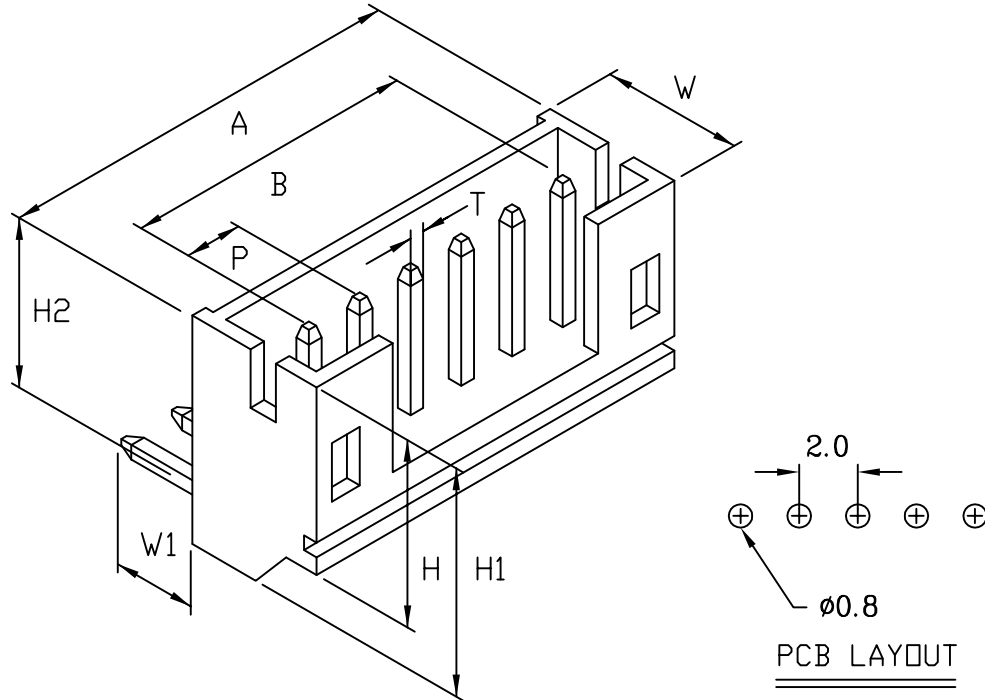


成品製造管制圖
 DRAWING OF FINISHED PRODUCTS

禁止使用1級環境管理物質
 Non-use Warranty for Level 1
 Prohibited Substances in Product.

Pich 2.0mm
 間距 (.079")



產品編號 Part No: JM24181-R
 品名 Product: 塑膠公座-DIP CONNECTOR-DIP
 材質 Material: Housing: NYLON 94V-0
 Contact Pin: Brass, Tin plated.
 配合端子 Suitable Terminal: J24181BS/PS
 配合塑膠 Suitable housing: JP24181
 額定電壓/電流 Current Rating:
 AC/DC250V 3A(22~28AWG#)
 絕緣阻抗 INS. Resistance: 1000M Ω Min.
 耐電壓 Withstand Voltage: 800V AC/1minute.
 適用溫度 Operation Temp: -25°C~+85°C
 顏色 Colour: 本色 (Natural)

DIMENSION:(MM)
 T: 0.5 ± 0.03
 P: 2.0 ± 0.1
 H: 6.0 ± 0.2
 H1: 7.6 ± 0.2
 H2: 6.3 ± 0.3
 W: 4.6 ± 0.2
 W1: 3.4 ± 0.3

PIN	A±0.3	B±0.2
2R	6.0	2.0
3R	8.0	4.0
4R	10.0	6.0
5R	12.0	8.0
6R	14.0	10.0
7R	16.0	12.0
8R	18.0	14.0
9R	20.0	16.0
10R	22.0	18.0
11R	24.0	20.0
12R	26.0	22.0

* 本成品圖僅供參考,若需做為承認用請聯絡就近業務員確認
 (The drawing is for reference only,
 please contact the sales division nearby for final confirmation if it's for approval purpose.)

H/Q: Kaohsiung, Taiwan
 總公司: 高雄, 台灣
 TEL: 886-7-6223787
 FAX: 886-7-6210385
 E-mail: jmt6317@jmt.com.tw

Taipei Branch, Taiwan
 台北營業所
 TEL: 886-2-26940195-7
 FAX: 886-2-26940738
 E-mail: taipei.jmt@msa.hinet.net

Overseas, Taiwan
 外銷業務部
 TEL: 886-7-6223787
 FAX: 886-7-6210385
 E-mail: jmt6318@yahoo.com.tw