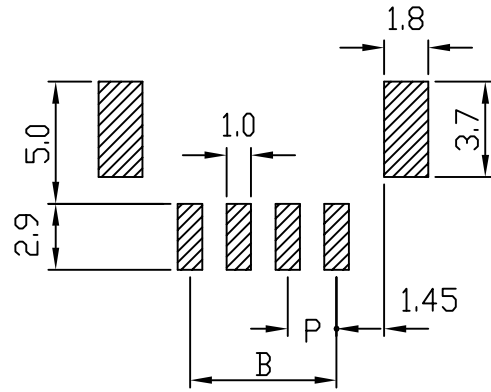
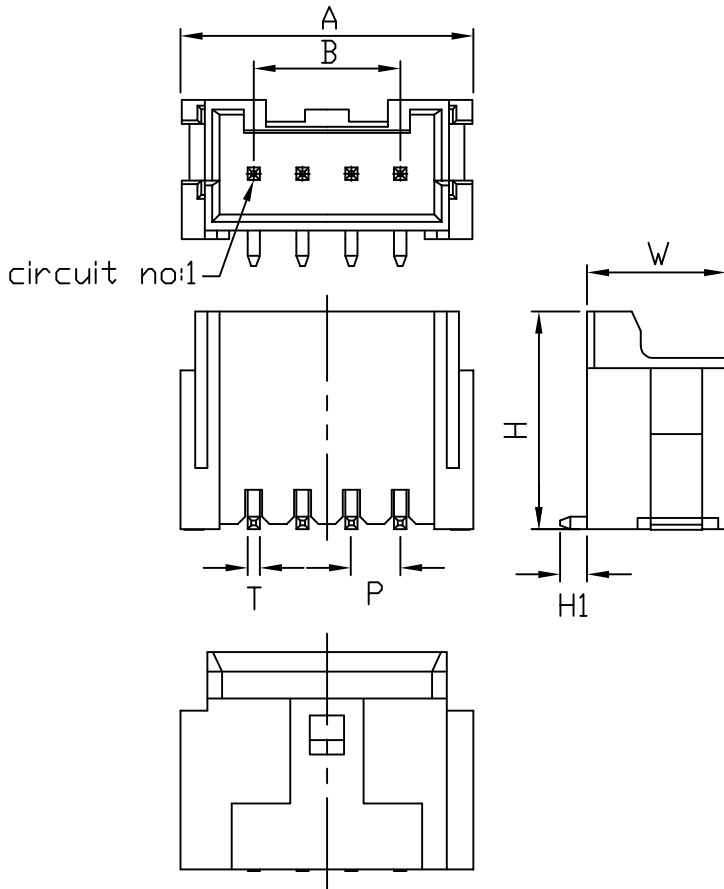


DRAWING OF FINISHED PRODUCTS



RECOMMENDED P.C. BOARD LAYOUT DIMM.

ITEM NO: JM20A-2 TO -6(SMT)
 MATERIAL: NYLON66 UL94V-0
 VOLTAGE RATING: AC, DC, 250V
 CURRENT RATING: AC, DC, 3A Max
 CONTACT RESISTANCE: 20mΩ Max
 INSULATION RESISTANCE: 1.000MΩ Min.
 TEMPERATURE RANGE: -25° TO +85°
 WITHSTANDING VOLTAGE: 800V AC/Minute

	A ± 0.3	B ± 0.2
JM20A-2(SMT)	8.0	2.0
JM20A-3(SMT)	10.0	4.0
JM20A-4(SMT)	12.0	6.0
JM20A-5(SMT)	14.0	8.0
JM20A-6(SMT)	16.0	10.0

DIMENSION:(MM)

T: 0.5 ± 0.03
 P: 2.0 ± 0.1
 H: 8.9 ± 0.2
 H1: 1.4 ± 0.2
 W: 5.7 ± 0.2

HANDLED BY

APPROVED BY