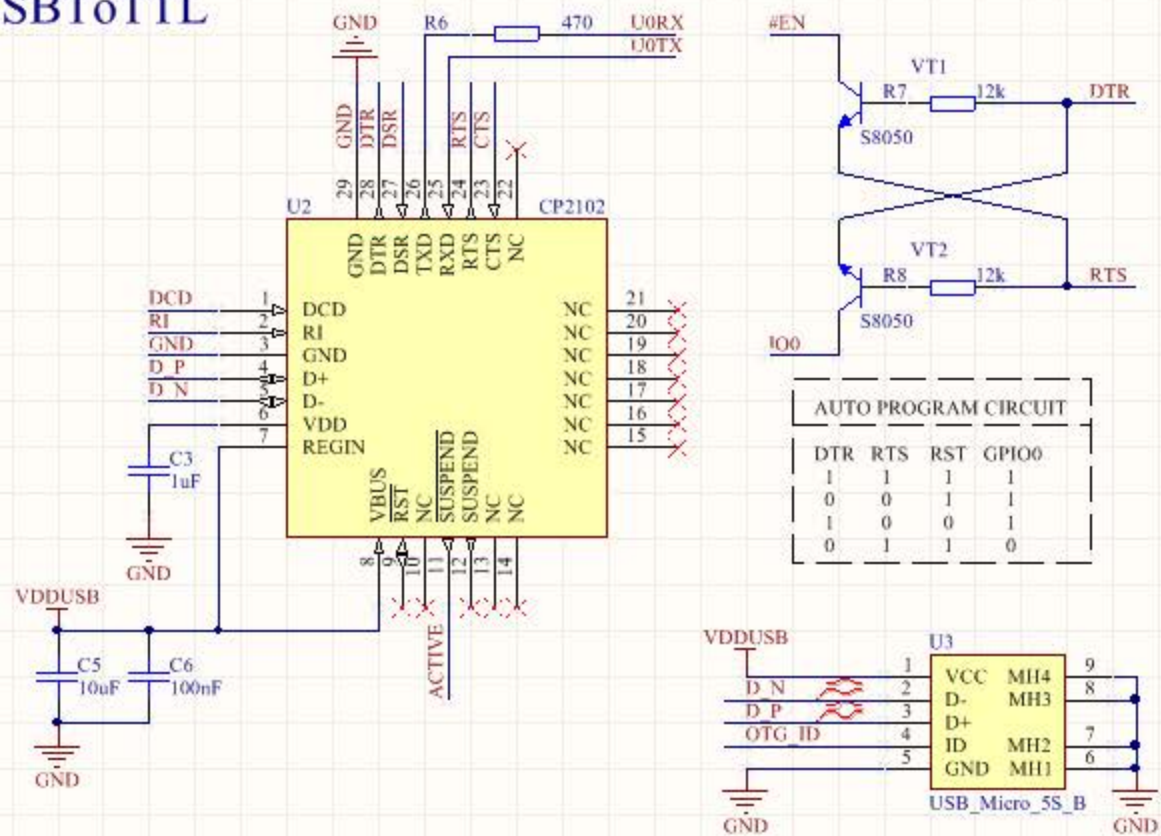


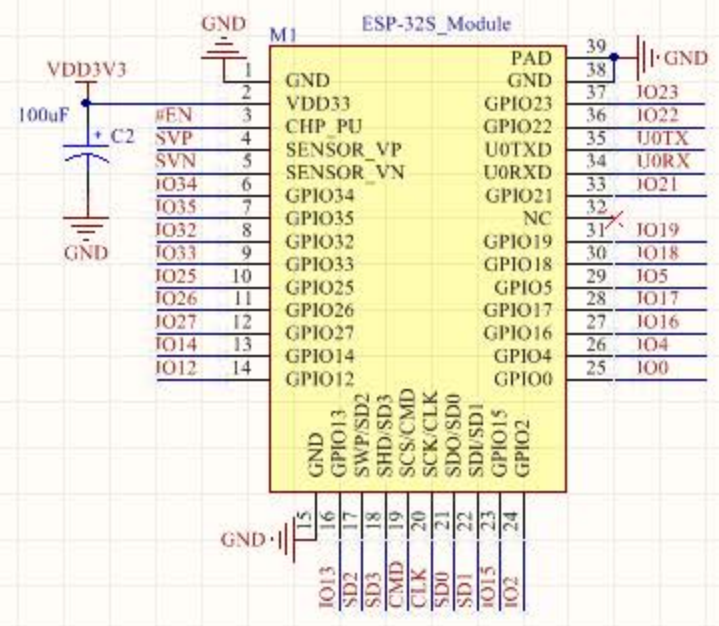
USBTotTTL



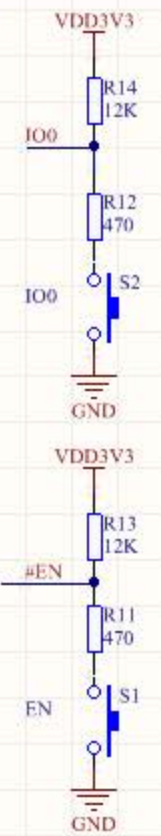
AUTO PROGRAM CIRCUIT

DTR	RTS	RST	GPIO0
1	1	1	1
0	0	1	1
1	0	0	1
0	1	1	0

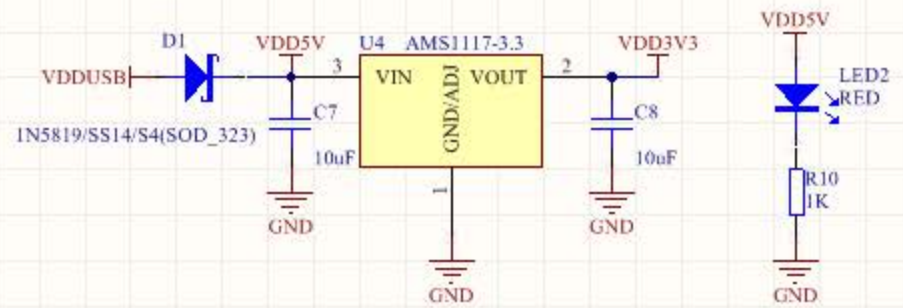
ESP-32S Module



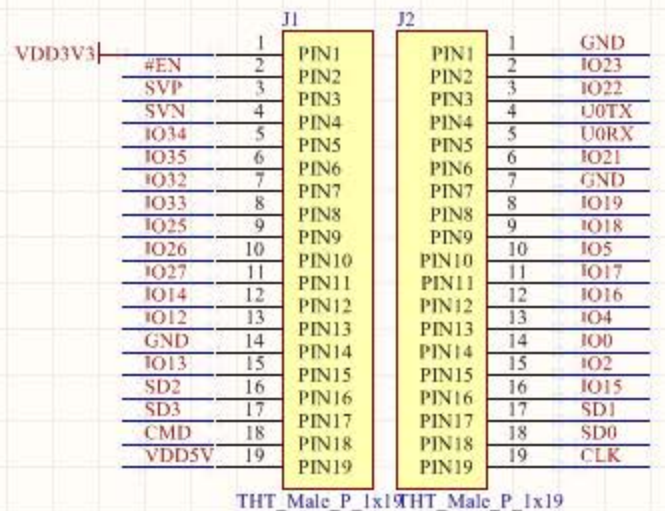
KEY



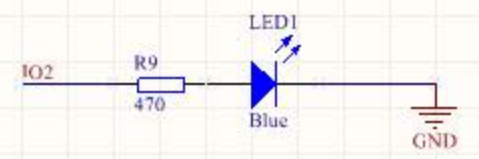
POWER



GPIO



LED



V1.1
2016/10/10
Ai-Thinker
www.ai-thinker.com