
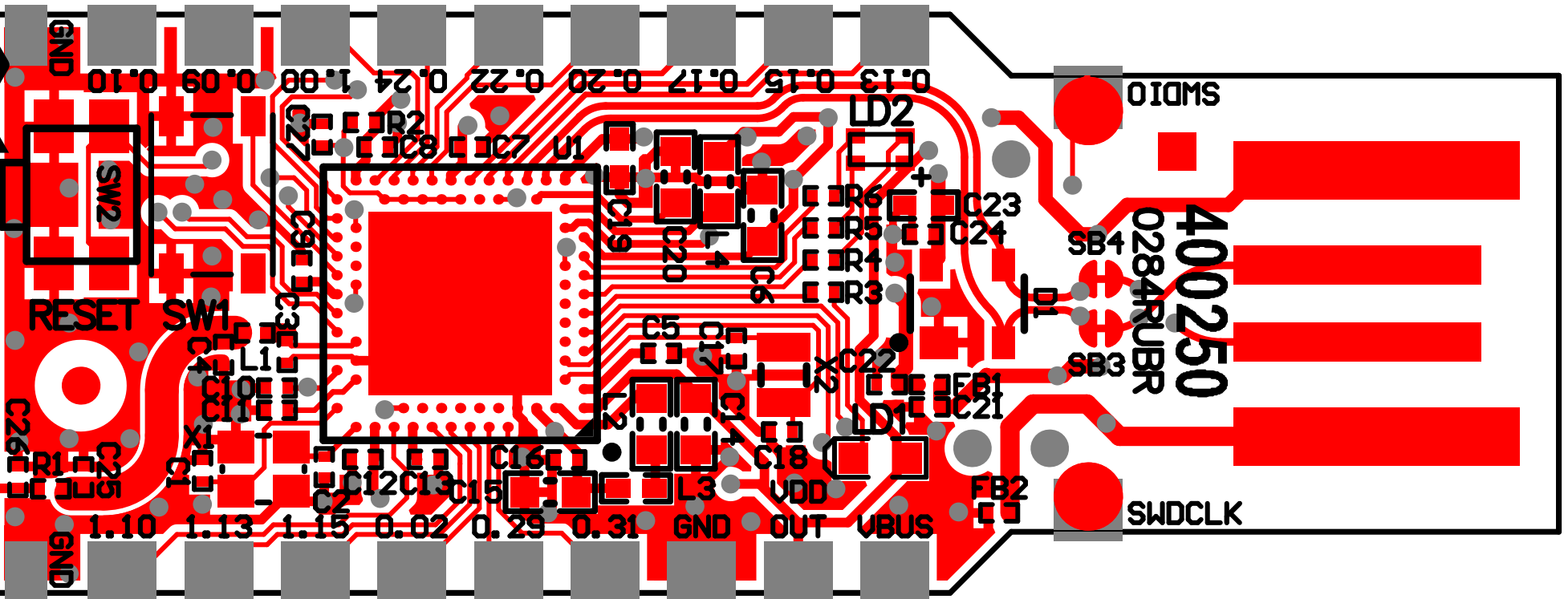
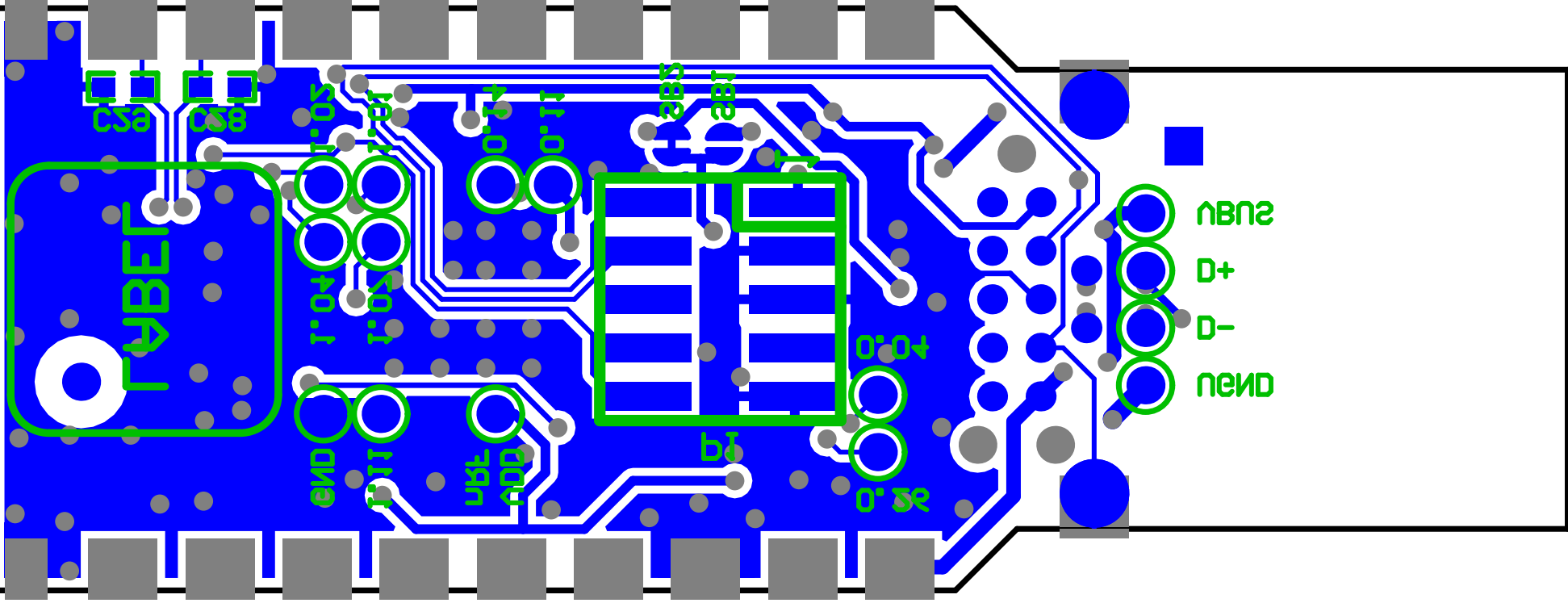


Title nRF52840 USB Dongle		Revision 1.0.0		
Size A4	Project Number 4440	Sheet 1 of 1		
Date: 15.06.2018		Drawn By: RUBR		
File: pca10059.SchDoc				



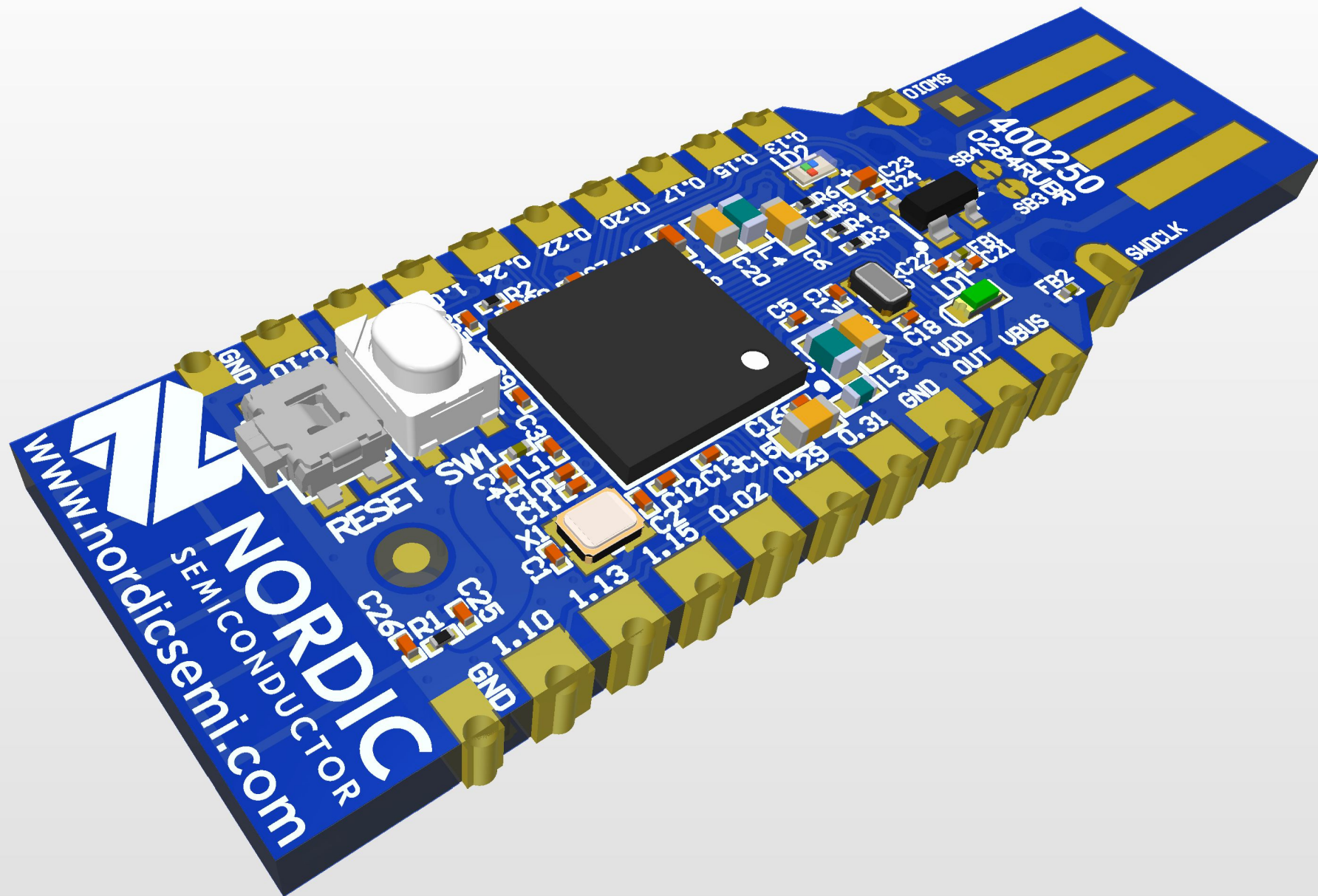
WBE25840-Donutje




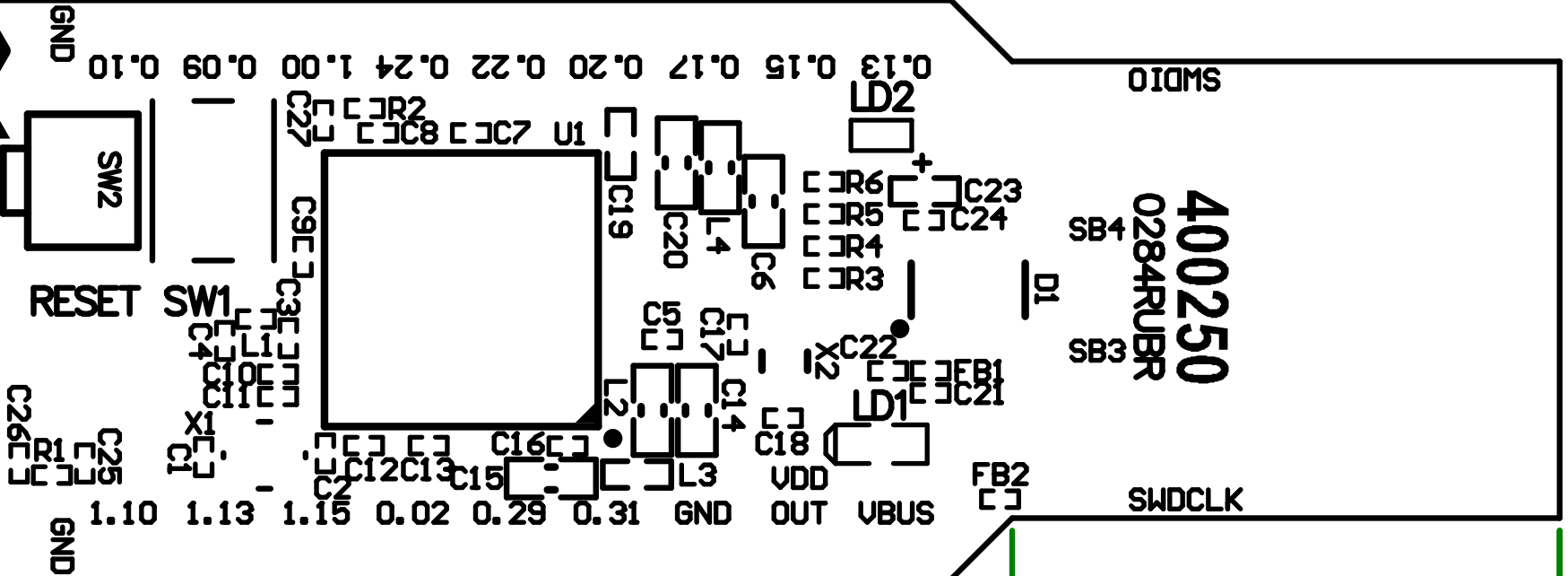
FABER

1.0
0.1
0.05
0.02
0.01
0.005
0.001
0.0005
0.0001
0.00005
0.00001
0.000005
0.000001
0.0000005
0.0000001

VBN2
D+
D-
VEND




NORDIC
SEMICONDUCTOR
www.nordicsemi.com



15.24mm

20.21mm

30.03mm

14.40mm

46.04mm

Mouser Electronics

Authorized Distributor

Click to View Pricing, Inventory, Delivery & Lifecycle Information:

[Nordic Semiconductor:](#)

[nRF52840-Dongle](#)